

A SERIES

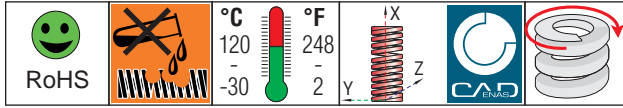
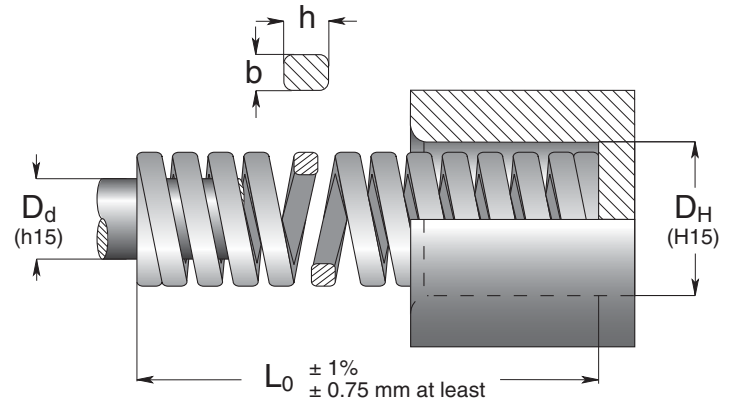
Special Springs standard Rectangular Wire



EN Ultra-heavy load springs
Silver color

ES Muelles carga ultra-fuerte
Color plateado

FR Ressorts charge ultra-forte
Couleur argent



Code	D _H		L ₀	R	A		B		C		D		E	Pcs
	Hole Diameter	Rod Diameter			Free Length	Spring Constant	10% L ₀	12% L ₀	13.5% L ₀	15% L ₀	do not use			
	b x h		± 10%	+ 3.000.000	~ 1.500.000	300 - 500.000	100 - 200.000	approx.		do not use				
	mm	mm	mm	N/mm	mm	N	mm	N	mm	N	mm	N	mm	
A 25 - 064	25	12.5	64	644	6.4	4122	7.7	4959	8.6	5564	9.6	6182	13	25
A 25 - 076			76	556	7.6	4226	9.1	5060	10.3	5705	11.4	6338	16	20
A 25 - 089			89	462	8.9	4112	10.7	4943	12.0	5551	13.4	6168	20	20
A 25 - 102			102	390	10.2	3978	12.2	4758	13.8	5370	15.3	5967	23	20
A 25 - 115			115	360	11.5	4140	13.8	4968	15.5	5589	17.3	6210	26	10
A 25 - 127			127	326	12.7	4140	15.2	4955	17.1	5589	19.1	6210	28	10
A 25 - 152			152	255	15.2	3876	18.2	4641	20.5	5233	22.8	5814	34	10
A 25 - 178			178	230	17.8	4094	21.4	4922	24.0	5527	26.7	6141	39	10
A 25 - 203			203	202	20.3	4101	24.4	4929	27.4	5536	30.5	6151	45	10
A 25 - 305	5.6 x 7.5		305	136	30.5	4148	36.6	4978	41.2	5600	45.8	6222	63	5
A 32 - 064	32	16	64	1077	6.4	6892	7.7	8270	8.6	9305	9.6	10337	13	20
A 32 - 076			76	874	7.6	6642	9.1	7971	10.3	8967	11.4	9964	16	20
A 32 - 089			89	721	8.9	6419	11	7702	12.0	8663	13.3	9628	20	10
A 32 - 102			102	620	10	6324	12	7589	13.8	8537	15.3	9486	23	10
A 32 - 115			115	560	12	6440	14	7728	15.5	8694	17.2	9660	26	10
A 32 - 127			127	496	13	6299	15	7559	17.1	8504	19.0	9449	28	10
A 32 - 152			152	408	15	6202	18	7442	20.5	8372	22.8	9302	34	10
A 32 - 178			178	353	18	6280	21	7536	24.0	8483	26.7	9420	39	5
A 32 - 203			203	304	20	6171	24	7405	27.4	8331	30.4	9257	45	5
A 32 - 254	254	243	25	6177	30	7413	34.3	8332	38.1	9266	62	5		
A 32 - 305	7.5 x 9.2		305	196	31	5978	37	7174	41.2	8070	45.7	8967	75	5
A 40 - 089	40	20	89	880	8.9	7832	10.7	9416	12.0	10573	13.4	11748	20	10
A 40 - 102			102	762	10.2	7772	12.2	9296	13.8	10493	15.3	11659	23	10
A 40 - 115			115	679	11.5	7809	13.8	9370	15.5	10541	17.3	11713	26	10
A 40 - 127			127	622	12.7	7899	15.2	9454	17.1	10664	19.1	11849	28	5
A 40 - 152			152	509	22.8	7737	18.2	9264	20.5	10445	22.8	11605	36	5
A 40 - 178			178	429	17.8	7636	21.4	9181	24.0	10309	26.7	11454	43	5
A 40 - 203			203	374	20.3	7592	24.4	9126	27.4	10249	30.5	11388	49	5
A 40 - 254			254	296	25.4	7518	30.5	9028	34.3	10150	38.1	11278	62	2
A 40 - 305			8.5 x 11.0		305	246	30.5	7530	36.6	9004	41.2	10129	45.8	11255
A 50 - 089	50	25	89	1410	8.9	12549	10.7	15087	12.0	16941	13.4	18824	19	5
A 50 - 102			102	1215	10.2	12393	12.2	14823	13.8	16731	15.3	18590	22	5
A 50 - 115			115	1076	11.5	12374	13.8	14849	15.5	16705	17.3	18561	25	5
A 50 - 127			127	968	12.7	12294	15.2	14714	17.1	16596	19.1	18440	28	5
A 50 - 152			152	806	15.2	12251	18.2	14669	20.5	16539	22.8	18377	34	2
A 50 - 178			178	698	17.8	12424	21.4	14937	24.0	16773	26.7	18637	40	2
A 50 - 203			203	612	20.3	12424	24.4	14933	27.4	16772	30.5	18635	45	2
A 50 - 254			254	472	25.4	11989	30.5	14396	34.3	16185	38.1	17983	58	2
A 50 - 305			11.8 x 13.5		305	388	30.5	11834	36.6	14201	41.2	15976	45.8	17751