



OSAS + OSM = OVER STROKE ACTIVE SAFETY + OVER STROKE MARKER

ACTIVE SAFETY



OSAS



USAS

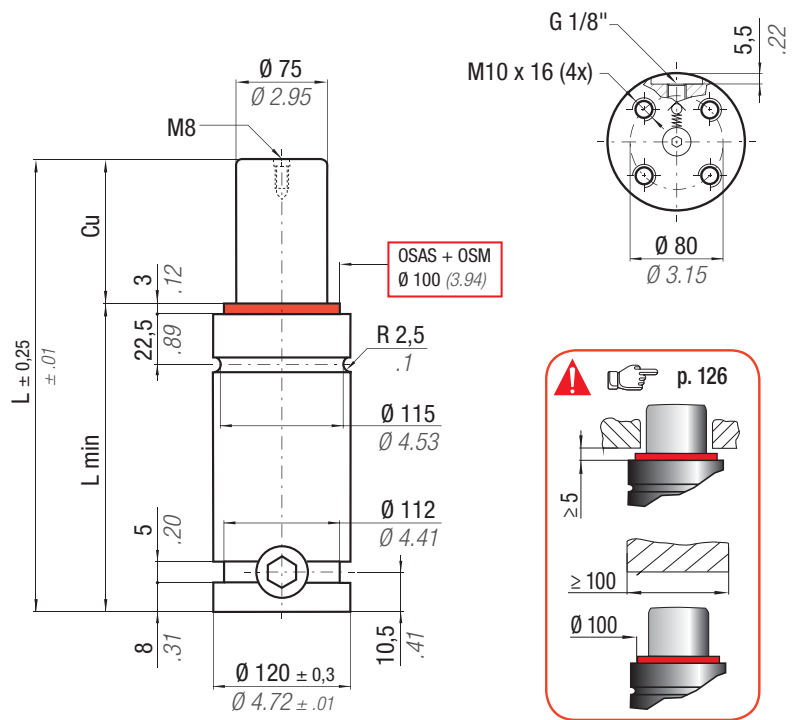


OPAS

Il nuovo codice sarà fornito solo ad esaurimento del vecchio
The new code will be supplied only when the old will be out of stock
Der neue Kode wird geliefert nur wenn der alte nicht mehr im Lager ist
Le nouveau code sera fourni uniquement lorsque le vieux stock sera écoulé
El nuevo código será suministrado sólo cuando el viejo está fuera de stock
O novo código irá ser fornecido apenas quando o antigo esgotar stock

easu MANIFOLD p. 211

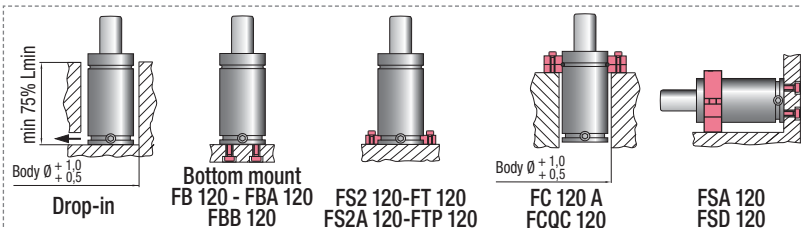
* F_{1i} = Isothermal end force at 100% Cu p. 16
** F_{1p} = Polytropic end force at 100% Cu



N₂	°F 32 -176	°C 0 -80	ΔP ± 0,33 %/°C	P max 150 bar 2175 psi	P min 20 bar 290 psi	S 44,18 cm ² 6.848 in ²	SPM ~ 15 ÷ 100 (at 20°C)	Max Speed 1,8 m/s	Maintenance kit See Tab below
----------------------	-------------------------	-----------------------	--------------------------	-------------------------------------	-----------------------------------	--	---------------------------------------	-----------------------------	---

CODE PHASING OUT from 01/2018	NEW	Cu		L		L min		F ₀		F _{1i} *		F _{1p} **		V ₀		~Kg	~lb	2014/68/EU																																																																																																																							
		mm	inch	mm	inch	mm	inch	daN	lb	daN	lb	daN	lb	cm ³	in ³																																																																																																																										
H 6600 - 025 - C	H 6600 - 025 - D	25	0.98	190	7.48	165	6.50	6630 ± 5%	14904	8601	19336	9806	22045	561,0	34.22	10,35	22.82	✓																																																																																																																							
H 6600 - 038 - C	H 6600 - 038 - D	38	1.50	216	8.50	178	7.01												150 bar 2175 psi	9183	20644	10696	24046	700,0	42.70	10,89	24.01	✓																																																																																																													
H 6600 - 050 - C	H 6600 - 050 - D	50	1.97	240	9.45	190	7.48																						+ 20 °C +68 °F	9585	21548	11323	25455	828,0	50.51	11,37	25.07	✓																																																																																																			
H 6600 - 063 - C	H 6600 - 063 - D	63	2.48	266	10.47	203	7.99																																10844	22310	11857	26656	967,0	58.99	11,93	26.30	✓																																																																																										
H 6600 - 075 - C	H 6600 - 075 - D	75	2.95	290	11.42	215	8.46																																									10174	22872	12255	27550	1095,0	66.80	12,39	27.32	✓																																																																																	
H 6600 - 080 - C	H 6600 - 080 - D	80	3.15	300	11.81	220	8.66																																																		10264	23074	12400	27876	1149,0	70.09	12,60	27.78	✓																																																																								
H 6600 - 100 - C	H 6600 - 100 - D	100	3.94	340	13.39	240	9.45																																																											10565	23751	12885	28967	1362,0	83.08	13,30	29.32	✓																																																															
H 6600 - 125 - C	H 6600 - 125 - D	125	4.92	390	15.35	265	10.43																																																																				10844	24378	13339	29987	1629,0	99.37	14,33	31.59	✓																																																						
H 6600 - 150 - C	H 6600 - 150 - D	150	5.91	440	17.32	290	11.42																																																																													11053	24848	13681	30756	1864,0	113.70	15,35	33.84	✓																																													
H 6600 - 160 - C	H 6600 - 160 - D	160	6.30	460	18.11	300	11.81																																																																																						11123	25005	13975	31417	2003,0	122.18	15,75	34.72	✓																																				
H 6600 - 175 - C	H 6600 - 175 - D	175	6.89	490	19.29	315	12.40																																																																																															11215	25212	13948	31356	2164,0	132.00	16,36	36.07	✓																											
H 6600 - 200 - C	H 6600 - 200 - D	200	7.87	540	21.26	340	13.39																																																																																																								11345	25505	14163	31840	2431,0	148.29	17,38	38.32	✓																		
H 6600 - 250 - C	H 6600 - 250 - D	250	9.84	640	25.20	390	15.35																																																																																																																	11540	25943	14486	32566	2965,0	180.87	19,42	42.81	✓									
H 6600 - 300 - C	H 6600 - 300 - D	300	11.81	740	29.13	440	17.32																																																																																																																										11713	26332	14775	33216	3485,0	212.59	21,57	47.55	✓

Model (Cu)	Rev.	Maintenance kit
H 6600 (025 ÷ 080)	C	39BMRV06600B
H 6600 (025 ÷ 080)	D	39BMH06600D
H 6600 (100 ÷ 300)	C - D	39BMH06600DH



HOW TO ORDER

(10 pcs) H 6600-050-C
(10 pcs) H 6600-050-C-N