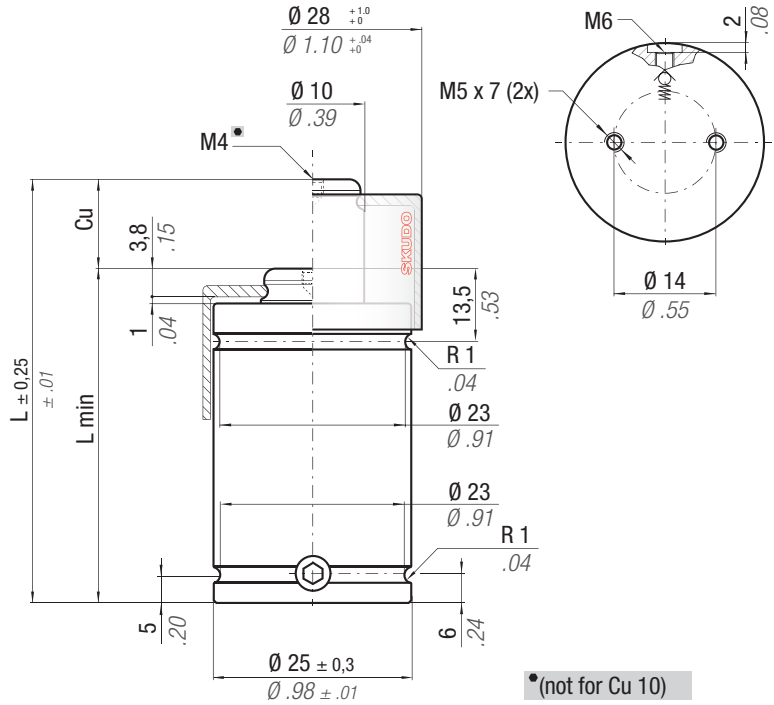


ACTIVE SAFETY



* $F_{1i} =$ Isothermal end force at 100% Cu p. 16 **** $F_{1p} =$ Polytrophic end force at 100% Cu**



CODE	Cu	L	L min	F ₀		F _{1i} *		F _{1p} **		V ₀		Maintenance kit			
				mm	inch	mm	inch	daN	lb	daN	lb	daN	lb	cm ³	in ³
KE 400 - 006 - A	6	0.24	56	2.2	50	1.97	789	1774	1011	2273	4,0	0.24	0,13	0.29	✓
KE 400 - 010 - A	10	0.39	70	2.76	60	2.36	871	1958	1153	2592	6,0	0.37	0,16	0.35	✓
KE 400 - 016 - A	16	0.63	91	3.58	75	2.95	881	1981	1171	2633	10,0	0.61	0,18	0.40	✓
KE 400 - 025 - A	25	0.98	120	4.72	95	3.74	876	1969	1162	2612	16,0	0.98	0,23	0.51	✓
KE 400 - 032 - A	32	1.26	140	5.51	108	4.25	907	2040	1217	2736	19,0	1.16	0,24	0.53	✓
KE 400 - 040 - A	40	1.57	165	6.50	125	4.92	907	2039	1217	2736	24,0	1.46	0,28	0.62	✓
KE 400 - 050 - A	50	1.97	195	7.68	145	5.71	919	2065	1238	2783	30,0	1.83	0,31	0.68	✓

WARNING REMOVE SKUDO

Upside down mounting

FC / FCC fixings

Drop-In

Bottom mount

FC 25 B
FCC 25 A

HOW TO ORDER

(10 pcs) KE 400-050-A
(10 pcs) KE 400-050-A-N