



OSAS + OSM = OVER STROKE ACTIVE SAFETY + OVER STROKE MARKER

ACTIVE SAFETY

easyl MANIFOLD p. 211



OSAS

* F_{1i} = Isothermal end force at 100% Cu p. 16

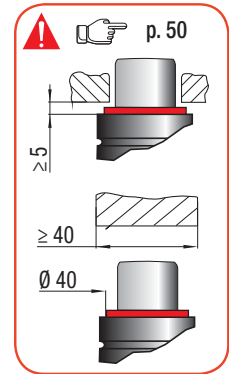
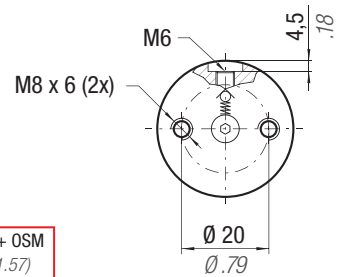
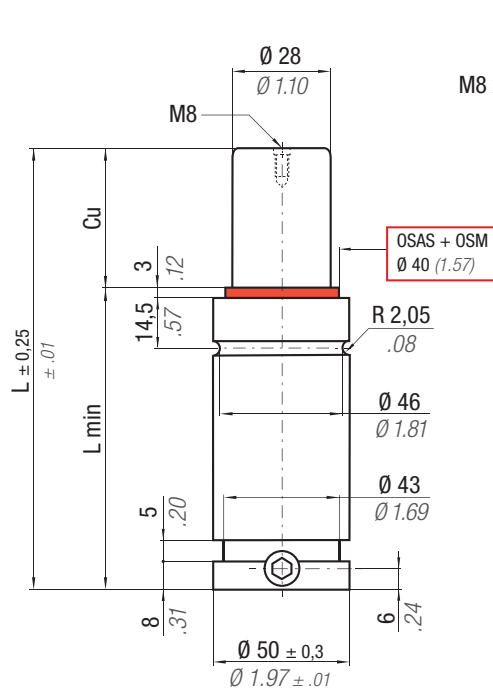
** F_{1p} = Polytropic end force at 100% Cu p. 16



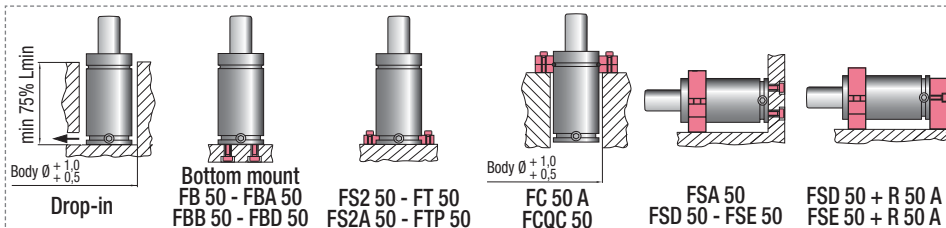
USAS



OPAS



CODE		°F		°C		ΔP ± 0,33 %/°C	P max 170 bar 2465 psi	P min 20 bar 290 psi	S 6,15 cm ² 0,953 in ²	SPM ~ 20 - 100 (at 20°C)	Max Speed 1,8 m/s	Maintenance kit 39BMRV01000C								
		32	176	0	80							~Kg	~lb							
RV 1200 - 010 - A		10	0.39	58	2.28	48	1.89	1060 ± 5%	2383	170 bar 2465 psi	+ 20 °C +68 °F	1494	3359	1717	3859	25,0	1,53	0,49	1,08	✓
RV 1200 - 013 - A	13	0.51	64	2.52	51	2.01	1553					3490	1802	4052	30,0	1,83	0,51	1,12	✓	
RV 1200 - 016 - A	16	0.63	70	2.76	54	2.13	1597					3591	1869	4202	34,0	2,07	0,54	1,19	✓	
RV 1200 - 019 - A	19	0.75	76	2.99	57	2.24	1633					3671	1922	4321	39,0	2,38	0,56	1,23	✓	
RV 1200 - 025 - A	25	0.98	88	3.46	63	2.48	1685					3789	2001	4500	48,0	2,93	0,61	1,34	✓	
RV 1200 - 032 - A	32	1.26	102	4.02	70	2.76	1728					3884	2066	4644	59,0	3,60	0,67	1,48	✓	
RV 1200 - 038 - A	38	1.50	114	4.49	76	2.99	1754					3943	2106	4735	69,0	4,21	0,72	1,59	✓	
RV 1200 - 050 - A	50	1.97	138	5.43	88	3.46	1791					4026	2163	4863	88,0	5,37	0,81	1,79	✓	
RV 1200 - 063 - A	63	2.48	164	6.46	101	3.98	1817					4085	2204	4954	108,0	6,59	0,92	2,03	✓	
RV 1200 - 075 - A	75	2.95	188	7.40	113	4.45	1834					4124	2230	5013	127,0	7,75	1,01	2,23	✓	
RV 1200 - 080 - A	80	3.15	198	7.80	118	4.65	1840					4137	2239	5033	135,0	8,24	1,05	2,31	✓	
RV 1200 - 100 - A	100	3.94	238	9.37	138	5.43	1858					4177	2267	5096	166,0	10,13	1,21	2,67	✓	
RV 1200 - 125 - A	125	4.92	288	11.34	163	6.42	1873					4210	2290	5148	205,0	12,51	1,41	3,11	✓	



HOW TO ORDER

(10 pcs) RV 1200-050-A
(10 pcs) RV 1200-050-A-N