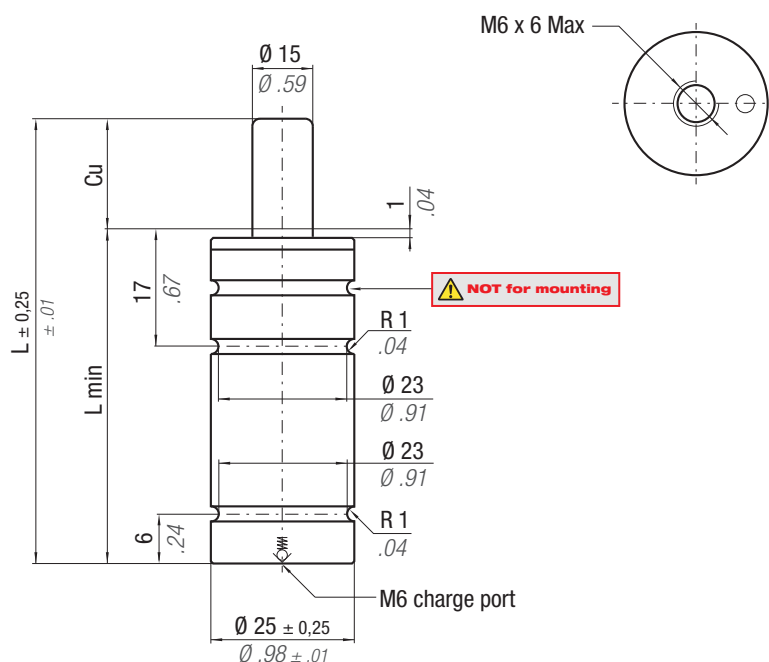




ACTIVE SAFETY



OPAS



Il nuovo codice sarà fornito solo ad esaurimento del vecchio

The new code will be supplied only when the old will be out of stock

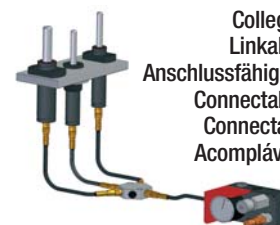
Der neue Kode wird geliefert nur wenn der alte nicht mehr im Lager ist

Le nouveau code sera fourni uniquement lorsque le vieux stock sera écoulé

El nuevo código será suministrado sólo cuando el viejo está fuera de stock

O novo código irá ser fornecido apenas quando o antigo esgotar stock

* F_{1i} = Isothermal end force at 100% Cu
 ** F_{1p} = Polytrophic end force at 100% Cu
 p. 16

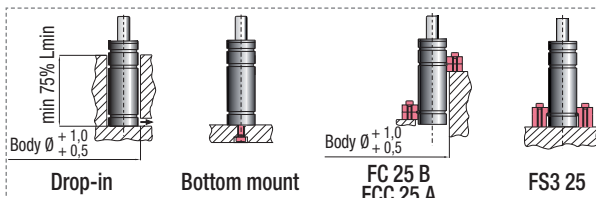


Collegabile con tubi
 Linkable with hoses
 Anschlussfähig mit Leitungen
 Connectable avec tubes
 Connectable con tubos
 Acompláveis com tubos

Micro 32°

	$^{\circ}\text{F}$ 32 - 176	$^{\circ}\text{C}$ 0 - 80	ΔP ± 0,33 %/°C	P max 180 bar 2610 psi	P min 20 bar 290 psi	S 1,77 cm ² 0.27 in ²	SPM ~ 40 - 100 (at 20°C)	Max Speed 1,8 m/s	Maintenance kit Disposable
--	--------------------------------------	------------------------------------	---------------------------------	-------------------------------------	-----------------------------------	--	---------------------------------------	-----------------------------	--------------------------------------

CODE PHASING OUT from 09/2013	NEW	Cu		L		L min		F0 Initial force		F _{1i} * End force *		F _{1p} ** End force **		V0		PED 2014/68/EU		
		mm	inch	mm	inch	mm	inch	daN	lb	daN	lb	daN	lb	cm ³	in ³	~Kg	~lb	✓
RV 320 - 007 - A	RV 320 - 007 - B	7	0.28	44	1.73	37	1.46	320 719 ± 5% 180 bar 2610psi + 20 °C +68 °F		465	1045	531	1194	5,0	0.31	0,10	0.22	✓
RV 320 - 010 - A	RV 320 - 010 - B	10	0.39	50	1.97	40	1.57			489	1098	566	1272	6,0	0.37	0,10	0.23	✓
RV 320 - 013 - A	RV 320 - 013 - B	13	0.51	56	2.20	43	1.69			505	1135	589	1324	8,0	0.49	0,11	0.24	✓
RV 320 - 015 - A	RV 320 - 015 - B	15	0.59	60	2.36	45	1.77			513	1154	602	1353	8,0	0.49	0,11	0.24	✓
RV 320 - 019 - A	RV 320 - 019 - B	19	0.75	68	2.68	49	1.93			526	1183	620	1394	10,0	0.61	0,12	0.26	✓
RV 320 - 025 - A	RV 320 - 025 - B	25	0.98	80	3.15	55	2.17			539	1212	640	1439	13,0	0.79	0,13	0.28	✓
RV 320 - 032 - A	RV 320 - 032 - B	32	1.26	94	3.70	62	2.44			549	1234	654	1470	16,0	0.98	0,14	0.31	✓
RV 320 - 038 - A	RV 320 - 038 - B	38	1.50	106	4.17	68	2.68			555	1248	663	1490	19,0	1.16	0,15	0.33	✓
RV 320 - 050 - A	RV 320 - 050 - B	50	1.97	130	5.12	80	3.15			563	1266	676	1520	24,0	1.46	0,17	0.37	✓
RV 320 - 063 - A	RV 320 - 063 - B	63	2.48	156	6.14	93	3.66			569	1279	684	1538	30,0	1.83	0,19	0.42	✓
RV 320 - 075 - A	RV 320 - 075 - B	75	2.95	185	7.28	110	4.33			552	1240	658	1479	38,0	2.32	0,22	0.48	✓
RV 320 - 080 - A	RV 320 - 080 - B	80	3.15	195	7.68	115	4.53			554	1245	662	1488	40,0	2.44	0,23	0.50	✓
RV 320 - 100 - A	RV 320 - 100 - B	100	3.94	235	9.25	135	5.31			561	1261	672	1511	49,0	2.99	0,26	0.57	✓
RV 320 - 125 - A	RV 320 - 125 - B	125	4.92	285	11.22	160	6.30			567	1274	681	1531	60,0	4.08	0,30	0.66	✓



HOW TO ORDER

(10 pcs) RV 320-050-B