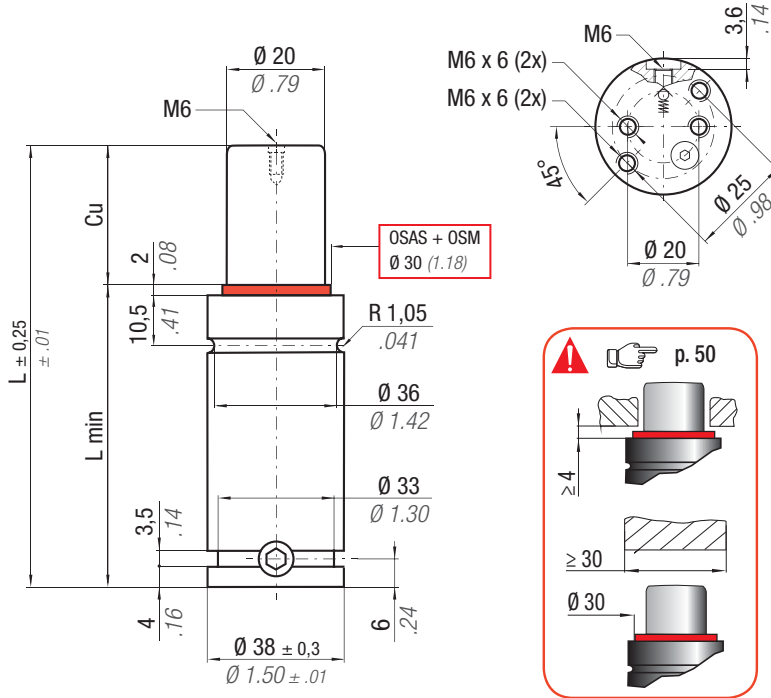


ISO 11901 - 3 W-DX35-6204 (Ford) 39D 997 (VW)	VDI 3003 - Blatt 3 B8 3180 220 000 004(MB)	B2 4005 (BMW) K 32 H (Nissan)	075.90.60 (FCA) E24.54.815.G (PSA)
---	---	----------------------------------	---------------------------------------



**OSAS + OSM** = OVER STROKE ACTIVE SAFETY + OVER STROKE MARKER

**easu** MANIFOLD p. 211

\*  $F_{1i}$  =

Isothermal end force at 100% Cu p. 16

\*\*  $F_{1p}$  =

Polytrophic end force at 100% Cu



**ACTIVE SAFETY**



OSAS



USAS

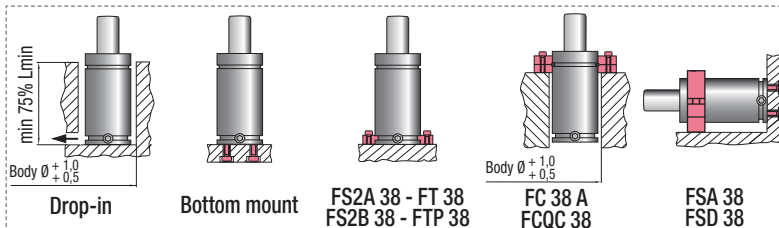


OPAS

RV

	$^{\circ}F$ 32 - 176	$^{\circ}C$ 0 - 80	$\Delta P$ $\pm 0,33 \% / ^{\circ}C$	<b>P max</b> 150 bar 2175 psi	<b>P min</b> 20 bar 290 psi	<b>S</b> 3,14 cm <sup>2</sup> 0.487 in <sup>2</sup>	<b>SPM</b> ~ 20 - 100 (at 20°C)	<b>Max Speed</b> 1,8 m/s	<b>Maintenance kit</b> 39BMRV00500C
--	-------------------------	-----------------------	---	-------------------------------------	-----------------------------------	---	---------------------------------------	-----------------------------	--

CODE	Cu		L		L min		F <sub>0</sub> Initial force		F <sub>1i</sub> * End force *		F <sub>1p</sub> ** End force **		V <sub>0</sub>		PED 2014/68/EU		
	mm	inch	mm	inch	mm	inch	daN	lb	daN	lb	daN	lb	cm <sup>3</sup>	in <sup>3</sup>	~Kg	~lb	✓
RV 500 - 010 - A	10	0.39	50	1.97	40	1.57			693	1559	824	1852	11,0	0.67	0,27	0.60	✓
RV 500 - 013 - A	13	0.51	56	2.20	43	1.69			713	1602	854	1920	14,0	0.85	0,25	0.55	✓
RV 500 - 016 - A	16	0.63	62	2.44	46	1.81			726	1633	876	1969	17,0	1.04	0,26	0.57	✓
RV 500 - 019 - A	19	0.75	68	2.68	49	1.93			736	1656	892	2005	19,0	1.16	0,28	0.62	✓
RV 500 - 025 - A	25	0.98	80	3.15	55	2.17			751	1688	916	2059	24,0	1.46	0,31	0.68	✓
RV 500 - 032 - A	32	1.26	94	3.70	62	2.44	470	1057	762	1713	933	2097	30,0	1.83	0,34	0.75	✓
RV 500 - 038 - A	38	1.50	106	4.17	68	2.68	$\pm 5\%$		768	1727	944	2122	35,0	2.14	0,37	0.82	✓
RV 500 - 050 - A	50	1.97	130	5.12	80	3.15	150 bar	2175psi	777	1747	958	2154	46,0	2.81	0,43	0.95	✓
RV 500 - 063 - A	63	2.48	156	6.14	93	3.66			783	1761	968	2176	57,0	3.48	0,49	1.08	✓
RV 500 - 075 - A	75	2.95	180	7.09	105	4.13			787	1769	975	2192	67,0	4.09	0,54	1.19	✓
RV 500 - 080 - A	80	3.15	190	7.48	110	4.33	+ 20 °C	+68 °F	788	1772	977	2196	72,0	4.39	0,57	1.26	✓
RV 500 - 100 - A	100	3.94	230	9.06	130	5.12			792	1781	983	2210	89,0	5.43	0,66	1.46	✓
RV 500 - 125 - A	125	4.92	280	11.02	155	6.10			795	1788	989	2223	110,0	6.71	0,78	1.72	✓



## HOW TO ORDER

(10 pcs) RV 500-050-A  
(10 pcs) RV 500-050-A-N