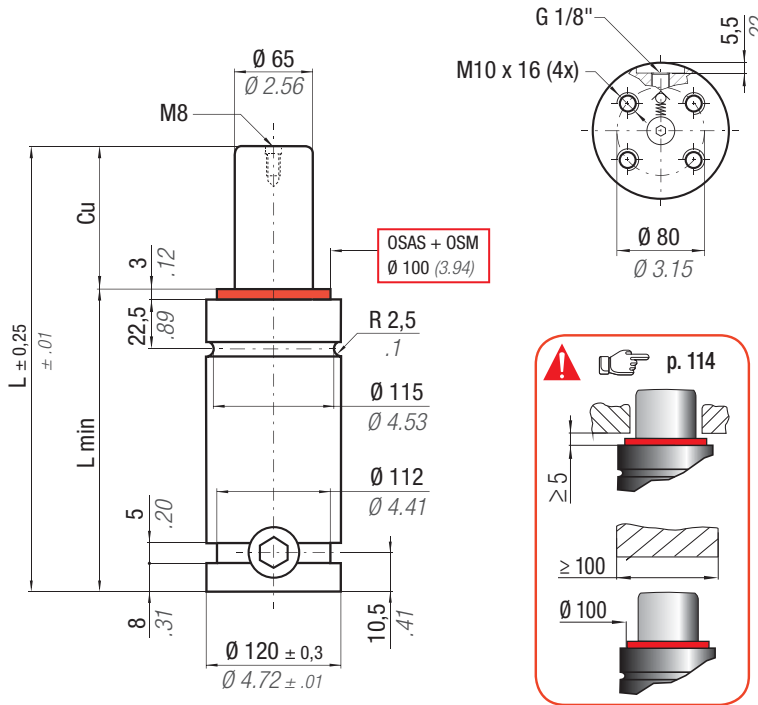


ISO 11901 - 1	075.90.55 (FCA)	W-DX35-6203 (Ford)	EM24.54.700 (Renault)
PG23D (Mazda)	VDI 3003	B8 3180 220 000 001(MB)	39D 878 (VW)
SES-K 5404e (Suzuki)	B2 4006 (BMW)	E24.54.815.G (PSA)	K 32 S (Nissan)



**OSAS + OSM** = OVER STROKE ACTIVE SAFETY + OVER STROKE MARKER

Il nuovo codice sarà fornito solo ad esaurimento del vecchio

The new code will be supplied only when the old will be out of stock

Der neue Kode wird geliefert nur wenn der alte nicht mehr im Lager ist

Le nouveau code sera fourni uniquement lorsque le vieux stock sera épuisé

El nuevo código será suministrado sólo cuando el viejo está fuera de stock

O novo código irá ser fornecido apenas quando o antigo esgotar stock

**easu** MANIFOLD p. 211

\* F<sub>1i</sub> =

Isothermal end force at 100% Cu p. 16

\*\* F<sub>1p</sub> =

Polytrophic end force at 100% Cu



**ACTIVE SAFETY**



OSAS



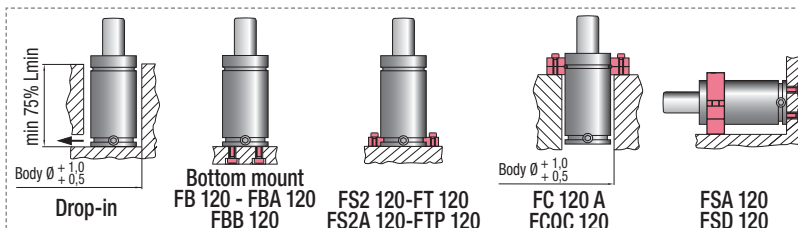
USAS



OPAS

	<b>N<sub>2</sub></b>	<b>°F</b> 32 - 176	<b>°C</b> 0 - 80	<b>ΔP</b> ± 0,33 %/°C	<b>P max</b> 150 bar 2175 psi	<b>P min</b> 20 bar 290 psi	<b>S</b> 33,18 cm <sup>2</sup> 5.143 in <sup>2</sup>	<b>SPM</b> ~ 15 - 50 (at 20°C)	<b>Max Speed</b> 1,8 m/s	<b>Maintenance kit</b> 39BMS05000D Cu 25 ÷ 80 39BMS05000DH Cu 88 ÷ 300
--	----------------------	-----------------------------	---------------------------	--------------------------	-------------------------------------	-----------------------------------	--	--------------------------------------	-----------------------------	--

CODE PHASING OUT from 01/2014	NEW	Cu		L		L min		F <sub>0</sub> Initial force		F <sub>1i</sub> * End force *		F <sub>1p</sub> ** End force **		V <sub>0</sub>			SC SCF	
		mm	inch	mm	inch	mm	inch	daN	lb	daN	lb	daN	lb	cm <sup>3</sup>	in <sup>3</sup>			~Kg
SC 5000 - 025 - B	SC 5000 - 025 - D	25	0.98	190	7.48	165	6.50			6316	14199	7148	16068	457,0	27.88	10,94	24.12	✓
SC 5000 - 038 - B	SC 5000 - 038 - D	38	1.50	216	8.50	178	7.01			6652	14955	7657	17214	583,0	35.56	11,46	25.26	✓
SC 5000 - 050 - B	SC 5000 - 050 - D	50	1.97	240	9.45	190	7.48			6872	15448	7994	17972	699,0	42.64	11,94	26.32	✓
SC 5000 - 063 - B	SC 5000 - 063 - D	63,5	2.50	267	10.51	203.5	8.01			7077	15910	8313	18688	823,0	50.20	12,56	27.69	✓
-	SC 5000 - 075 - D	75	2.95	290	11.42	215	8.46			7176	16132	8467	19035	941,0	57.40	12,94	28.53	✓
SC 5000 - 080 - B	SC 5000 - 080 - D	80	3.15	300	11.81	220	8.66			7221	16232	8537	19193	989,0	60.33	13,15	28.99	✓
-	SC 5000 - 088 - D	88	3.46	315	12.40	227	8.94			7300	16411	8662	19473	1061,0	64.72	13,39	29.52	✓
SC 5000 - 100 - B	SC 5000 - 100 - D	100	3.94	340	13.39	240	9.45	4980	11195	7367	16562	8768	19712	1182,0	72.10	13,89	30.62	✓
-	SC 5000 - 113 - D	113	4.45	365	14.37	252	9.92	± 5%		7454	16757	8906	20021	1303,0	79.48	14,40	31.75	✓
SC 5000 - 125 - B	SC 5000 - 125 - D	125	4.92	390	15.35	265	10.43	150 bar	2175 psi	7499	16858	8977	20181	1424,0	86.86	14,90	32.85	✓
-	SC 5000 - 138 - D	138	5.43	415	16.34	277	10.91			7564	17005	9081	20415	1545,0	94.25	15,40	33.95	✓
-	SC 5000 - 150 - D	150	5.91	440	17.32	290	11.42	+ 20 °C	+ 68 °F	7595	17074	9130	20525	1665,0	101.57	15,90	35.05	✓
SC 5000 - 160 - B	SC 5000 - 160 - D	160	6.30	460	18.11	300	11.81			7627	17145	9181	20639	1762,0	107.48	16,30	35.94	✓
-	SC 5000 - 175 - D	175	6.89	490	19.29	315	12.40			7668	17238	9247	20788	1907,0	116.33	16,90	37.26	✓
SC 5000 - 200 - B	SC 5000 - 200 - D	200	7.87	540	21.26	340	13.39			7726	17369	9340	20997	2148,0	131.03	17,91	39.48	✓
-	SC 5000 - 225 - D	225	8.86	590	23.23	365	14.37			7773	17474	9415	21166	2390,0	145.79	18,91	41.69	✓
SC 5000 - 250 - B	SC 5000 - 250 - D	250	9.84	640	25.20	390	15.35			7811	17560	9477	21305	2632,0	160.55	19,91	43.89	✓
-	SC 5000 - 275 - D	275	10.83	690	27.17	415	16.34			7843	17632	9529	21422	2873,0	175.25	20,92	46.12	✓
SC 5000 - 300 - B	SC 5000 - 300 - D	300	11.81	740	29.13	440	17.32			7871	17694	9573	21521	3115,0	190.02	21,92	48.33	✓



## HOW TO ORDER

(10 pcs) SC 5000-050-D  
(10 pcs) SC 5000-050-D-N