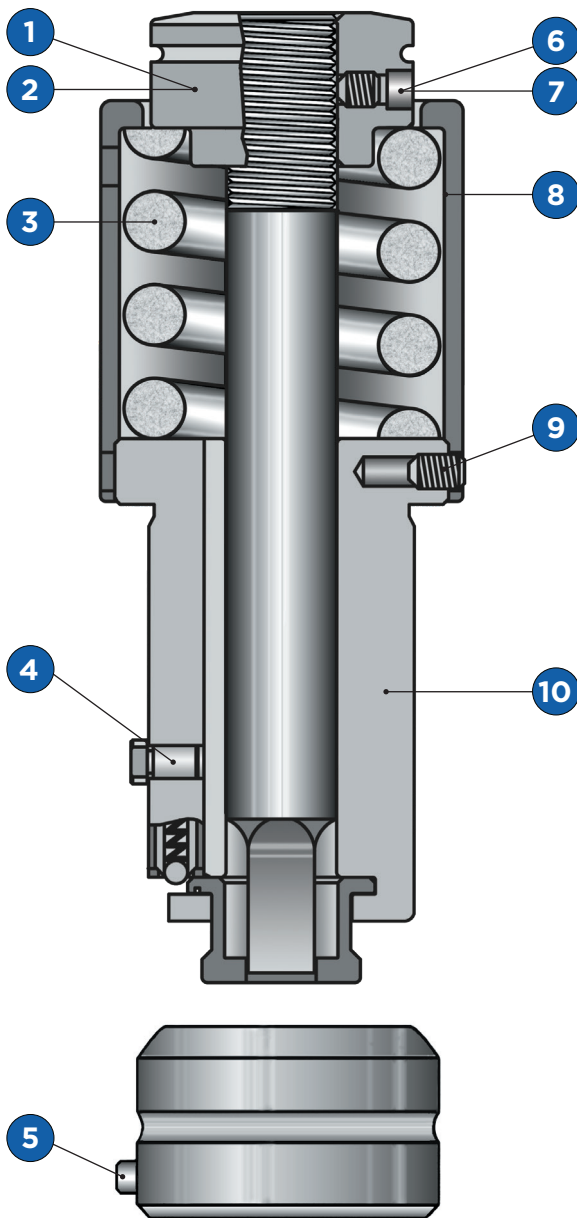


5/8" DROP-IN THIN TURRET



	DESCRIPTION	CAT. NO.
1	Adjustable Punch Head	475
2	Adjustable Punch Head (Old style Strippit design - not shown)	444
3	Spring	125
4	Dowel Pin (3/16 x 0.375) (Replacement - round only)	2150
5	Dowel Pin (3/16 x 0.345)	6431
6	Socket Head Set Screw (Cone Pt. M5-.8 x 8mm)	6268
7	Socket Head Set Screw (Cone Pt. 10-32 x 1/4)	6072
8	Spring Canister	453
9	Socket Set Screw (M5 x 8mm)	6372
10	Guide	477