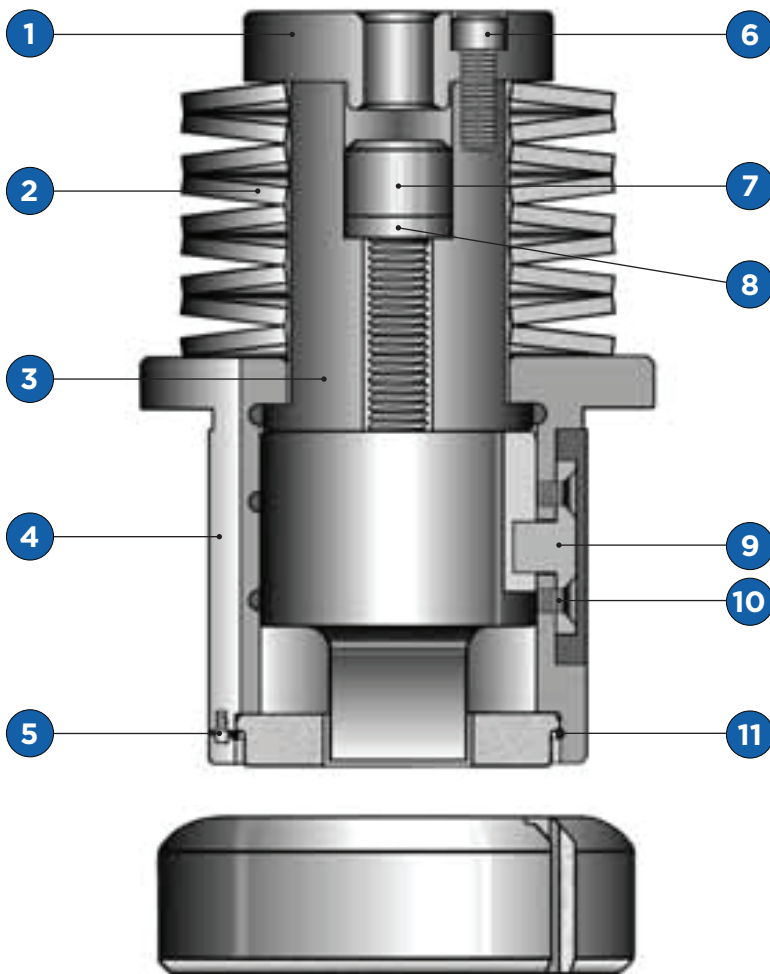


2" STATION - FULL BODY THIN TURRET



	DESCRIPTION	CAT. NO.
1	Punch Head	3176
2	Disc Springs (9 Required)	3177
3	Punch Driver	3178
4	Guide	3179
5	Socket Head Cap Screw (Special 5-40 Flat Head)	429
6	Socket Head Cap Screw (1/4-28 x 3/4)	6304
7	Socket Head Cap Screw (M-12 - 1.75 x 57mm)	6026
8	Lock Washer (High Collar)	432
9	Key	1834
10	FHCS M5 x 8mm Long Screw (2 required)	6567
11	Snap Lock Ring	5035