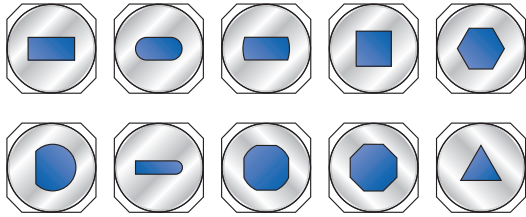


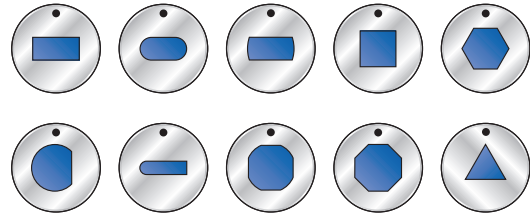
STANDARD KEYING LOCATIONS

B & C STATIONS

PUNCH VIEW

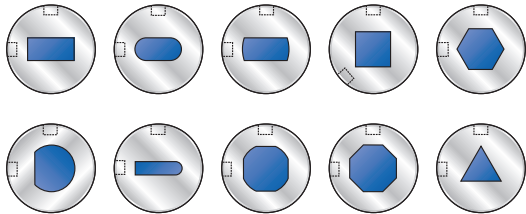


DIE VIEW

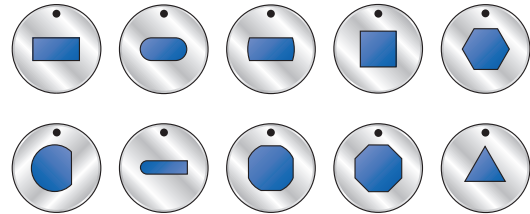


D-L STATIONS

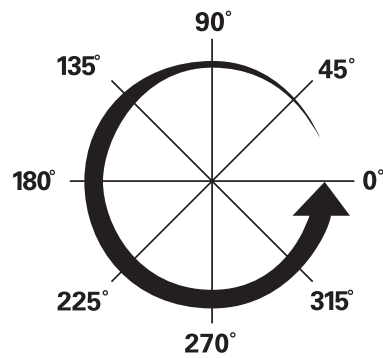
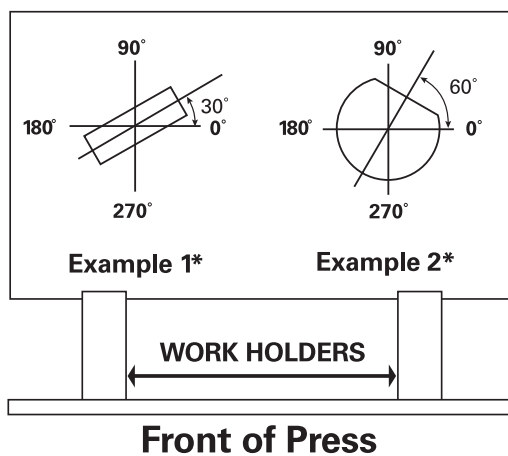
PUNCH VIEW



DIE VIEW



WILSON TOOL KEYING DIAGRAM



Non-Standard Key Locations

The two above examples show shapes oriented at 30° and 60°. To ensure proper shape orientation, it is important that you refer to non-standard key locations by following these examples: **Example 1:** Shape at 60° **Example 2:** Shape at 30°