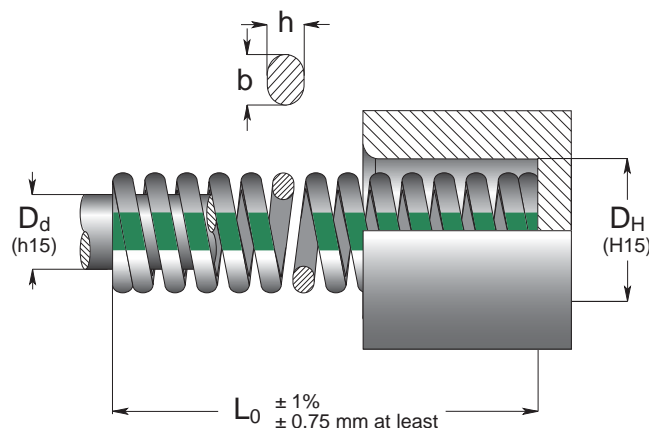
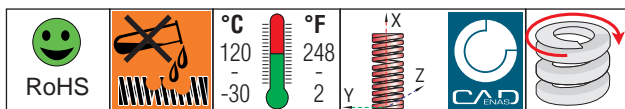


EN Extra-heavy load springs
Silver-green color

ES Muelles carga extra-fuerte
Color plateado-verde

FR Ressorts charge extra-forte
Couleur argent-verte



Code	D _H		D _d	L ₀	R	A		B		C		D		E	Pcs
	Hole Diameter					Spring Constant	15% L ₀		20% L ₀		22,5% L ₀		25% L ₀		
	b x h				± 10%	+ 3.000.000	~ 1.500.000	300 - 500.000	100 - 200.000	do not use					
	mm	mm	mm	mm	N/mm	mm	N	mm	N	mm	N	mm	N	mm	
XHG 10 - 025	9.5	4.7	25	38.5	3.8	146	5.0	193	5.6	217	6.3	243	7.9	50	
XHG 10 - 032			32	29.7	4.8	143	6.4	190	7.2	214	8.0	238	10.9	50	
XHG 10 - 038			38	25.4	5.7	145	7.6	193	8.6	217	9.5	241	13.4	50	
XHG 10 - 044			44	20.2	6.6	133	8.8	178	9.9	200	11.0	222	13.8	50	
XHG 10 - 051			51	17.6	7.7	136	10.2	180	11.5	202	12.8	225	16.8	25	
XHG 10 - 064			64	14.0	9.6	134	12.8	179	14.4	202	16.0	224	20.2	25	
XHG 10 - 076			76	11.4	11.4	130	15.2	173	17.1	195	19.0	217	25.9	25	
XHG 10 - 305	1.97 x 1.50		305	2.6	45.8	119	61.0	159	68.6	178	76.3	198	113.5	10	
XHG 13 - 025	13	7	25	56.1	3.8	213	5.0	281	5.6	316	6.3	353	8.5	50	
XHG 13 - 032			32	42.1	4.8	202	6.4	269	7.2	303	8.0	337	10.5	50	
XHG 13 - 038			38	35.0	5.7	200	7.6	266	8.6	299	9.5	333	12.8	50	
XHG 13 - 044			44	29.8	6.6	197	8.8	262	9.9	295	11.0	328	14.0	25	
XHG 13 - 051			51	24.5	7.7	198	10.2	250	11.5	281	12.8	314	16.1	25	
XHG 13 - 064			64	20.2	9.6	194	12.8	259	14.4	291	16.0	323	21.1	25	
XHG 13 - 076			76	15.8	11.4	180	15.2	240	17.1	270	19.0	300	24.5	25	
XHG 13 - 089	89	14.0	13.4	188	17.8	249	20.0	280	22.3	312	30.0	20			
XHG 13 - 102	102	10.8	15.3	165	20.4	220	23.0	248	25.5	275	35.6	10			
XHG 13 - 305	2.50 x 2.00		305	4.4	45.8	202	61.0	268	68.6	302	76.3	336	104.7	10	
XHG 16 - 025	16	8.7	25	110.3	3.8	419	5.0	552	5.6	620	6.3	695	7.8	50	
XHG 16 - 032			32	82.3	4.8	395	6.4	527	7.2	593	8.0	658	10.2	50	
XHG 16 - 038			38	66.7	5.7	380	7.6	507	8.6	570	9.5	634	12.2	25	
XHG 16 - 044			44	56.1	6.6	370	8.8	494	9.9	555	11.0	617	14.0	25	
XHG 16 - 051			51	50.8	7.7	391	10.2	518	11.5	583	12.8	650	16.6	25	
XHG 16 - 064			64	38.5	9.6	370	12.8	493	14.4	554	16.0	616	19.5	25	
XHG 16 - 076			76	31.5	11.4	359	15.2	479	17.1	539	19.0	599	25.8	20	
XHG 16 - 089	89	28.0	13.4	375	17.8	498	20.0	561	22.3	624	29.5	20			
XHG 16 - 102	102	23.6	15.3	361	20.4	481	23.0	542	25.5	602	33.9	20			
XHG 16 - 115	115	20.6	17.3	356	22.0	474	25.9	533	28.8	593	38.3	10			
XHG 16 - 305	3.10 x 2.76		305	7.8	45.8	357	61.0	476	68.6	535	76.3	595	89.9	10	
XHG 19 - 025	19.5	9.5	25	205.9	3.8	782	5.0	1030	5.6	1158	6.3	1297	7.1	50	
XHG 19 - 032			32	166.7	4.8	800	6.4	1067	7.2	1200	8.0	1334	9.4	50	
XHG 19 - 038			38	132.4	5.7	755	7.5	1006	8.6	1132	9.5	1258	11.6	25	
XHG 19 - 044			44	117.7	6.6	777	8.8	1036	9.9	1165	11.0	1295	13.9	25	
XHG 19 - 051			51	98.1	7.7	755	10.2	1001	11.5	1126	12.8	1256	16.2	25	
XHG 19 - 064			64	83.4	9.6	801	12.8	1068	14.4	1201	16.0	1334	21.5	25	
XHG 19 - 076			76	68.6	11.4	782	15.2	1043	17.1	1173	19.0	1303	25.0	25	
XHG 19 - 089	89	54.9	13.4	736	17.8	977	20.0	1099	21.8	1224	30.4	20			
XHG 19 - 102	102	48.1	15.3	736	20.4	981	23.0	1104	25.5	1227	34.9	20			
XHG 19 - 115	115	41.2	17.3	713	22.0	948	25.9	1066	28.8	1187	42.0	10			
XHG 19 - 127	127	38.2	19.1	730	24.0	970	28.6	1092	31.5	1215	46.4	10			
XHG 19 - 140	140	33.3	21.0	699	28.0	932	31.5	1049	35.0	1166	49.1	10			
XHG 19 - 152	152	31.4	22.8	716	30.4	955	34.2	1074	38.0	1193	53.5	10			
XHG 19 - 305	4.00 x 3.60		305	16.5	45.8	756	61.0	1007	68.6	1132	76.3	1259	115.0	10	

Code	D _H	D _d	L ₀	R	A		B		C		D		E	Pcs	
	Hole Diameter	Rod Diameter	Free Length	Spring Constant	15% L ₀		20% L ₀		22,5% L ₀		25% L ₀		do not use approx.		
	b x h			± 10%	+ 3.000.000	N	~ 1.500.000	N	300 - 500.000	N	100 - 200.000	N	mm		
	mm	mm	mm	N/mm	mm	N	mm	N	mm	N	mm	N	mm		
XHG 26 - 025	25.5	13	25	441.3	3.8	1677	5.0	2207	5.6	2482	6.3	2780	6.7	50	
XHG 26 - 032			32	343.2	4.8	1647	6.4	2196	7.2	2471	8.0	2746	9.5	25	
XHG 26 - 038			38	323.6	5.7	1845	7.6	2459	8.6	2767	9.5	3074	11.8	25	
XHG 26 - 044			44	264.8	6.6	1748	8.8	2330	9.9	2622	11.0	2913	14.1	25	
XHG 26 - 051			51	201.0	7.7	1548	10.2	2050	11.5	2306	12.8	2573	17.0	25	
XHG 26 - 064			64	156.9	9.6	1506	12.8	2008	14.4	2259	16.0	2510	21.0	25	
XHG 26 - 076			76	127.5	11.4	1454	15.2	1938	17.1	2180	19.0	2423	24.9	20	
XHG 26 - 089			89	107.9	13.4	1446	17.8	1921	20.0	2161	22.3	2406	29.9	20	
XHG 26 - 102			102	96.1	15.3	1470	20.4	1960	23.0	2205	25.5	2451	33.9	20	
XHG 26 - 115			115	84.3	17.3	1458	23.0	1939	25.9	2181	28.8	2428	39.1	10	
XHG 26 - 127			127	75.5	19.1	1442	25.4	1918	28.6	2157	31.8	2401	42.2	10	
XHG 26 - 140			140	63.7	21.0	1338	28.0	1784	31.5	2007	35.0	2230	47.7	10	
XHG 26 - 152			152	62.8	22.8	1432	30.4	1909	34.2	2148	38.0	2386	51.1	10	
XHG 26 - 178			178	53.9	26.7	1439	35.6	1919	40.1	2159	44.5	2399	62.1	10	
XHG 26 - 203	203	46.1	30.5	1406	40.6	1872	45.7	2106	50.8	2342	70.0	10			
XHG 26 - 305	5.50 x 4.70	305	33.3	45.8	1525	61.0	2031	68.6	2285	76.3	2541	105.5	5		
XHG 32 - 038	32	16	38	470.7	5.7	2683	7.6	3577	8.6	4024	9.5	4472	10.2	20	
XHG 32 - 044			44	392.3	6.6	2589	8.8	3452	9.9	3884	11.0	4315	13.0	20	
XHG 32 - 051			51	333.4	7.7	2567	10.2	3401	11.5	3826	12.8	4268	15.3	20	
XHG 32 - 064			64	264.8	9.6	2542	12.8	3389	14.4	3813	16.0	4237	20.4	20	
XHG 32 - 076			76	215.7	11.4	2459	15.2	3279	17.1	3688	19.0	4098	23.2	20	
XHG 32 - 089			89	166.7	13.4	2234	17.8	2967	20.0	3338	22.3	3717	28.3	10	
XHG 32 - 102			102	147.1	15.3	2251	20.4	3001	23.0	3376	25.5	3751	33.4	10	
XHG 32 - 115			115	137.3	17.3	2375	23.0	3158	25.9	3553	28.8	3954	38.6	10	
XHG 32 - 127			127	127.5	19.1	2435	25.4	3239	28.6	3643	31.8	4055	41.3	10	
XHG 32 - 140			140	112.8	21.0	2369	28.0	3158	31.5	3553	35.0	3948	45.0	10	
XHG 32 - 152			152	103.0	22.8	2348	30.4	3131	34.2	3523	38.0	3914	49.9	10	
XHG 32 - 178			178	92.2	26.7	2462	35.6	3282	40.1	3693	44.5	4103	58.1	5	
XHG 32 - 203			203	75.5	34.5	2303	40.6	3065	45.7	3448	50.8	3835	66.0	5	
XHG 32 - 254			254	60.8	38.1	2316	50.8	3089	57.2	3475	63.5	3861	82.7	5	
XHG 32 - 305	7.40 x 6.00	305	49.0	45.8	2244	61.0	2989	68.6	3363	6.03	3739	99.5	5		
XHG 38 - 051	38.5	19.5	51	539.4	7.7	4153	10.2	5502	11.5	6190	12.8	6904	13.8	20	
XHG 38 - 064			64	460.9	9.6	4425	12.8	5900	14.4	6637	16.0	7374	19.9	10	
XHG 38 - 076			76	353.0	11.4	4024	15.2	5366	17.1	6036	19.0	6707	22.9	10	
XHG 38 - 089			89	294.2	13.4	3942	17.8	5237	20.0	5891	22.3	6561	28.9	10	
XHG 38 - 102			102	255.0	15.3	3902	20.4	5202	23.0	5852	25.5	6503	31.9	10	
XHG 38 - 115			115	255.6	17.3	3903	23.0	5189	25.9	6614	28.8	6497	36.2	10	
XHG 38 - 127			127	201.0	19.1	3839	25.4	5105	28.6	5744	31.8	6392	41.0	5	
XHG 38 - 140			140	186.3	21.0	3912	28.0	5216	31.5	5868	35.0	6521	45.3	5	
XHG 38 - 152			152	166.7	22.8	3801	30.4	5068	34.2	5701	38.0	6335	50.2	5	
XHG 38 - 178			178	147.1	26.7	3928	35.6	5237	40.1	5891	44.5	6546	57.7	5	
XHG 38 - 203			203	127.5	30.5	3889	40.6	5177	45.7	5824	50.8	6477	68.7	5	
XHG 38 - 254			254	98.1	38.1	3738	50.8	4983	57.2	5606	63.5	6229	84.3	2	
XHG 38 - 305			8.50 x 7.50	305	83.4	45.8	3820	61.0	5087	68.6	5723	76.3	6363	105.3	2
XHG 51 - 064			51	25.5	64	645.3	9.6	6195	12.8	8260	14.4	9292	16.0	10325	16.5
XHG 51 - 076	76	554.1			11.4	6317	15.2	8422	17.1	9475	19.0	10528	20.9	5	
XHG 51 - 089	89	451.1			13.4	6045	17.8	8030	20.0	9033	22.3	10060	23.9	5	
XHG 51 - 102	102	402.1			15.3	6152	20.4	8203	23.0	9228	25.5	10254	29.3	5	
XHG 51 - 115	115	343.2			17.3	5937	23.0	7894	25.9	8880	28.8	9884	32.3	5	
XHG 51 - 127	127	313.8			19.1	5994	25.4	7971	28.6	8967	31.8	9979	36.7	5	
XHG 51 - 140	140	284.4			21.0	5972	28.0	7963	31.5	8959	35.0	9954	40.7	5	
XHG 51 - 152	152	264.8			22.8	6037	30.4	8050	34.2	9056	38.0	10062	44.1	2	
XHG 51 - 178	178	225.6			26.7	6024	35.6	8031	40.1	9035	44.8	10039	51.6	2	
XHG 51 - 203	203	193.7			30.5	5908	40.6	7864	45.7	8847	50.8	9840	57.6	2	
XHG 51 - 254	254	153.0			38.1	5829	50.8	7772	57.2	8744	63.5	9716	73.3	2	
XHG 51 - 305	11.40 x 9.30	305			146.1	45.8	6691	61.0	8912	68.6	10026	76.3	11147	89.2	2

XHG
Metric