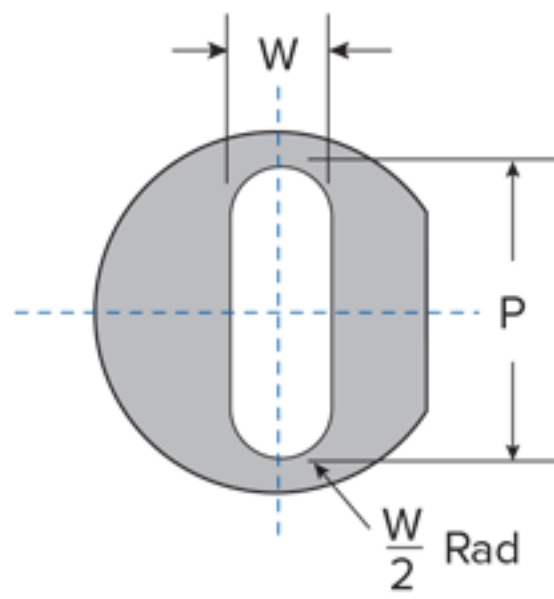
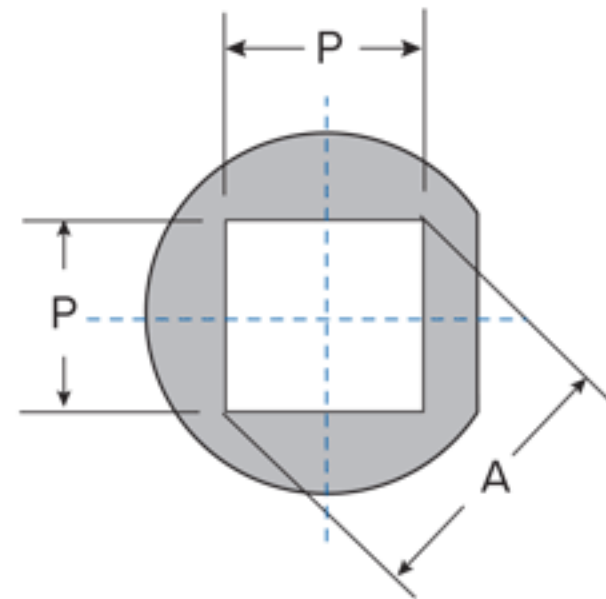


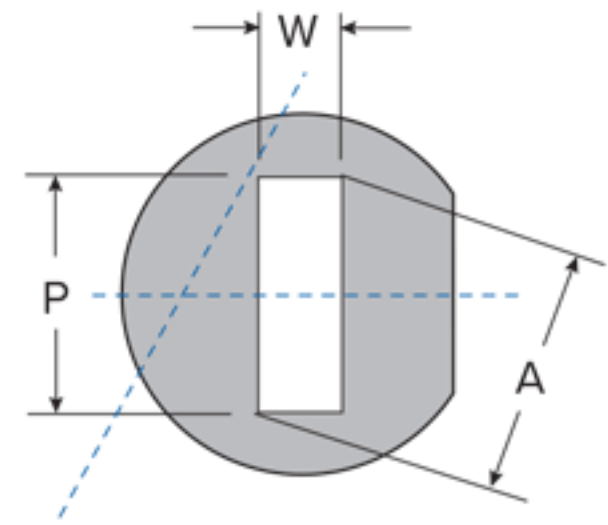
OB Obround



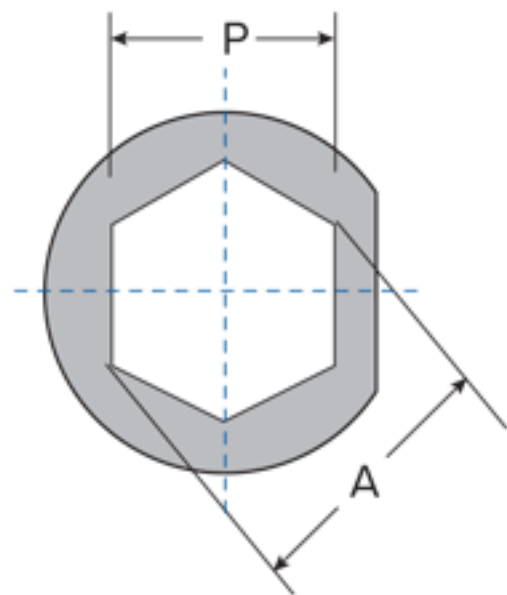
SQ Square



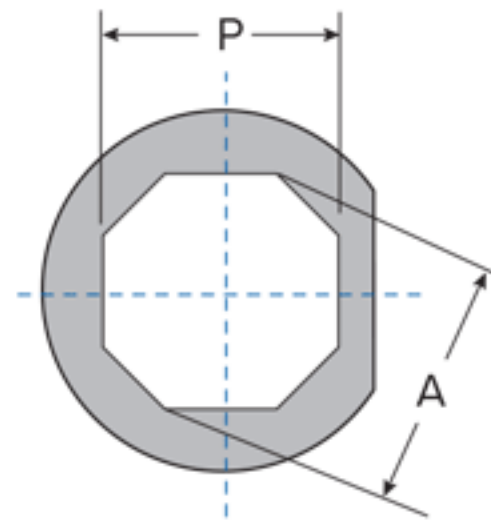
RT Rectangle



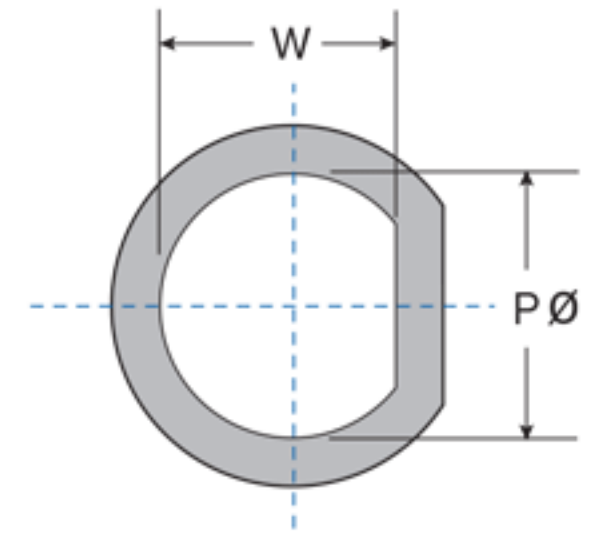
HX Hexagon



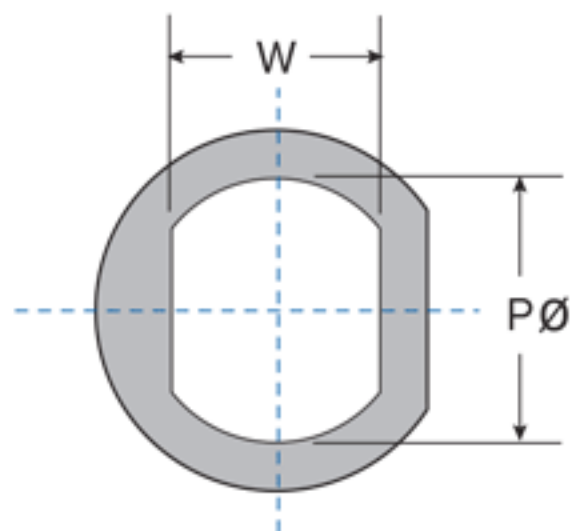
OT Octagon



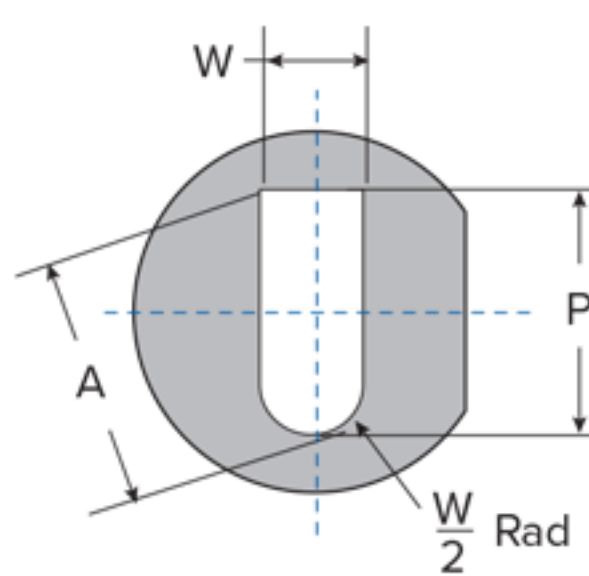
SD Single-D



DD Double-D



LD Long-D



QD Quad-D

