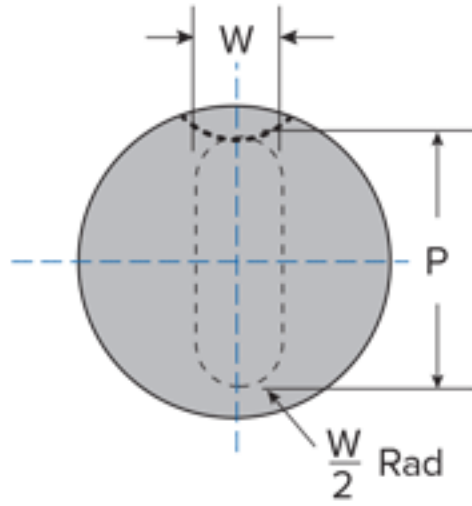
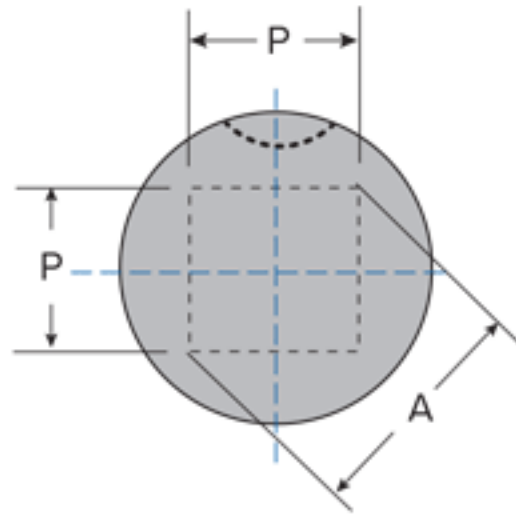


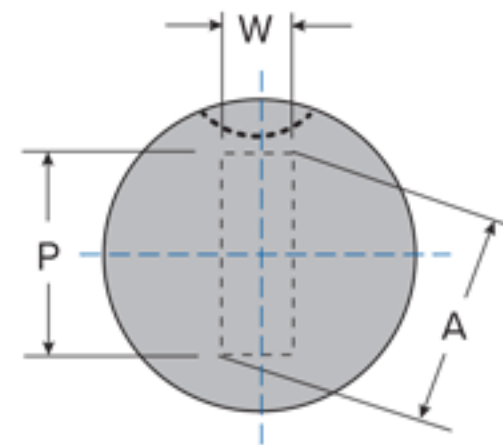
OB Obround



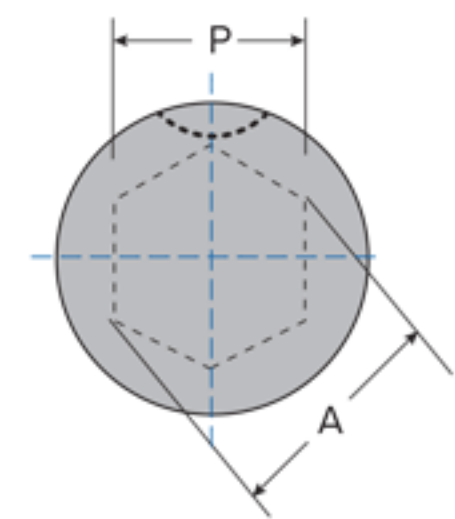
SQ Square



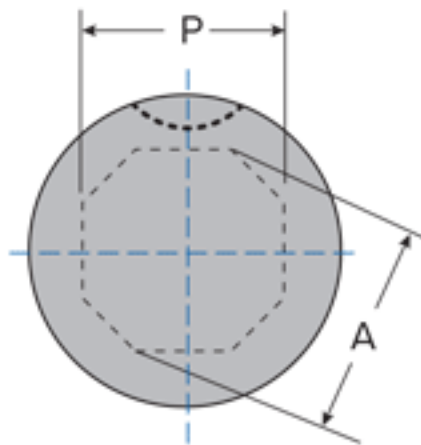
RT Rectangle



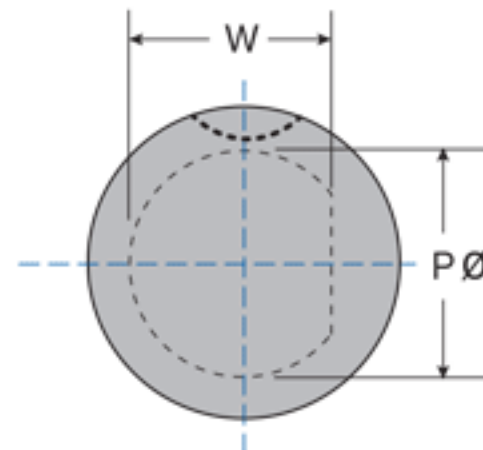
HX Hexagon



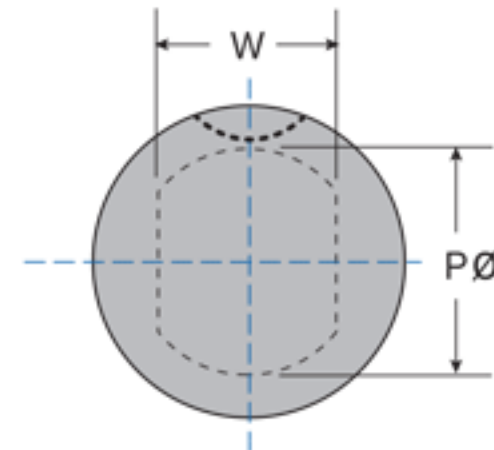
OT Octagon



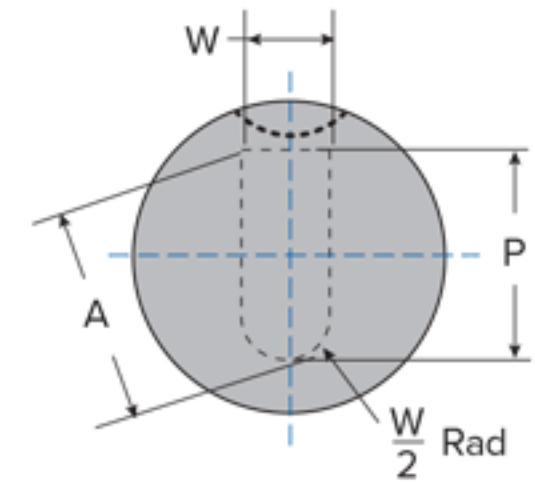
SD Single-D



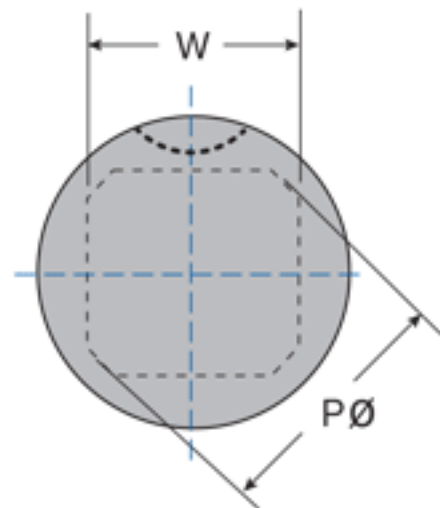
DD Double-D



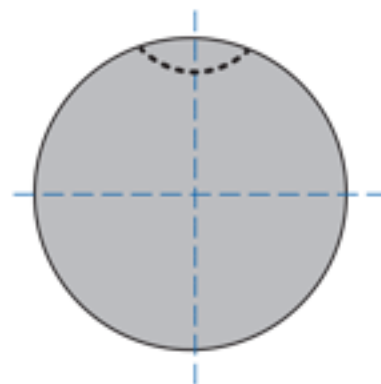
LD Long-D



QD Quad-D



BL Blank



Standard Key Location Is 90°

Radial Location
Tol. 1 Within 0° 4'
Tol. 2 Within 0° 2'

