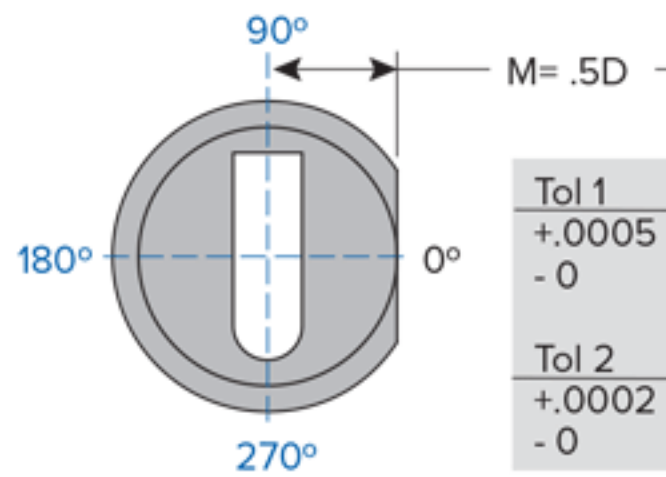


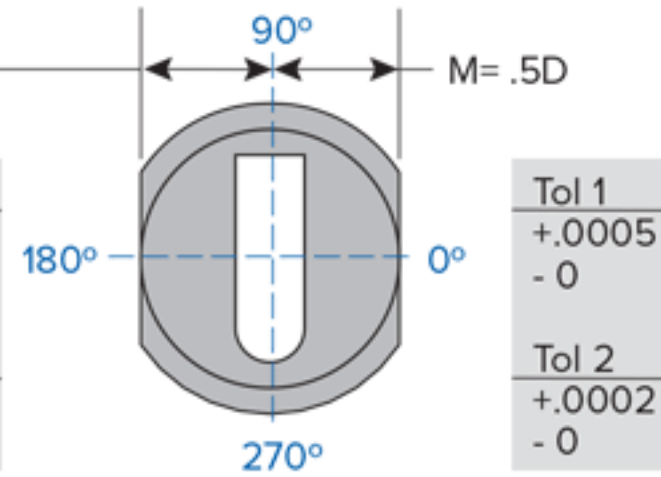
KEY 1
Single Flat



Tol 1
+ .0005
- 0
Tol 2
+ .0002
- 0

Radial Location
Tol. 1 .001/inch
Tol. 2 .005/inch

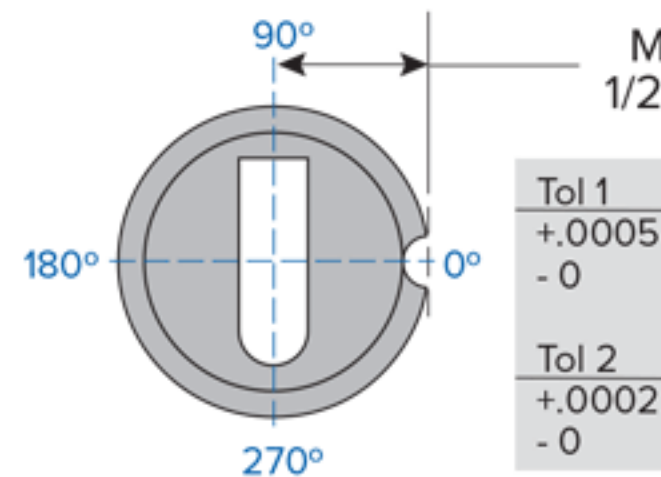
KEY 2
Double Flat



Tol 1
+ .0005
- 0
Tol 2
+ .0002
- 0

Radial Location
Tol. 1 .001/inch
Tol. 2 .005/inch

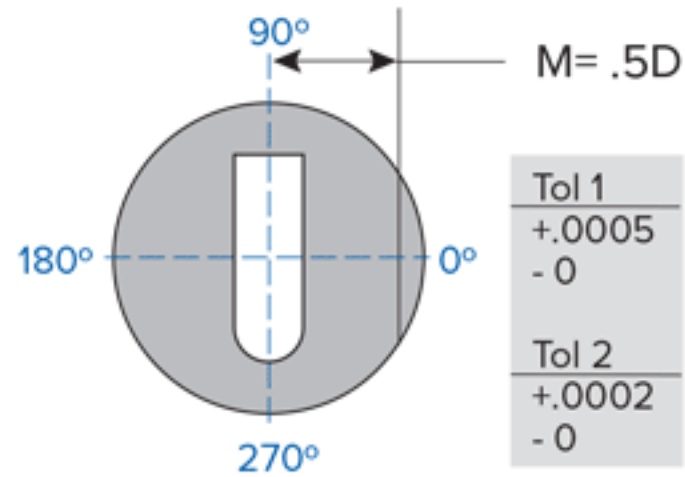
KEY 3 Dowel Pin 1/8" **KEY 4** Dowel Pin 3/16"
KEY 8 Dowel Pin 1/4"



Tol 1
+ .0005
- 0
Tol 2
+ .0002
- 0

Radial Location
Tol. 1 Within 0° 4'
Tol. 2 Within 0° 2'

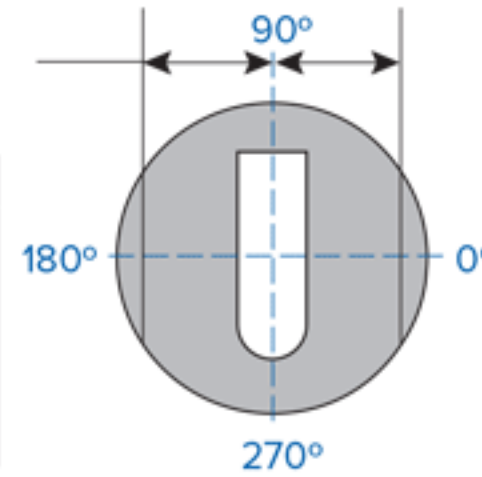
KEY 5
(Single Flat)
working end view



Tol 1
+ .0005
- 0
Tol 2
+ .0002
- 0

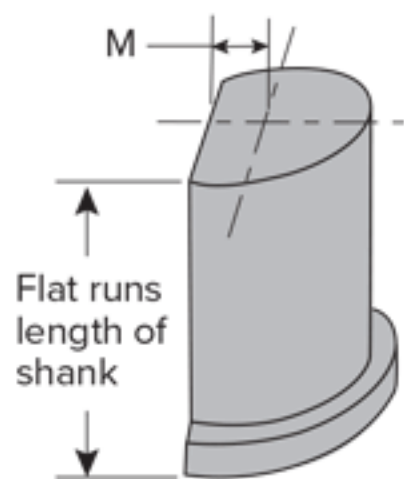
Radial Location
Tol. 1 .001/inch
Tol. 2 .005/inch

KEY 6
(Double Flat)
working end view



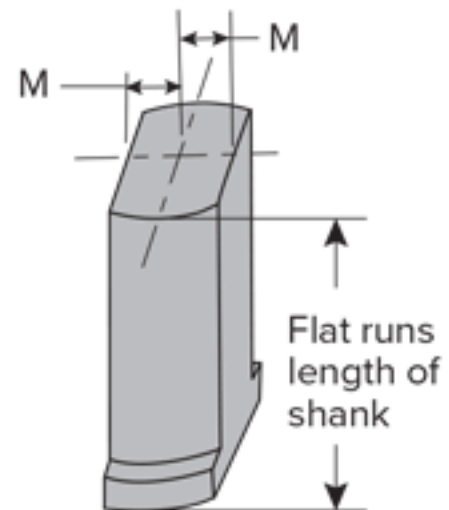
Radial Location
Tol. 1 .001/inch
Tol. 2 .005/inch

KEY 9
(Single Flat)
working end view



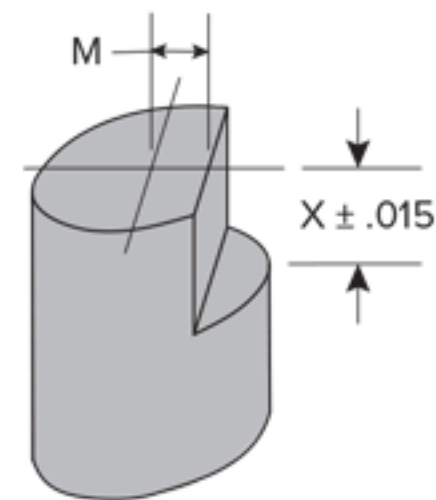
Radial Location
Tol. 1 .001/inch
Tol. 2 .005/inch

KEY 10
(Double Flat)
working end view



OR

KEY 5
working end view



Radial Location
Tol. 1 .001/inch
Tol. 2 .005/inch

KEY 6
working end view

