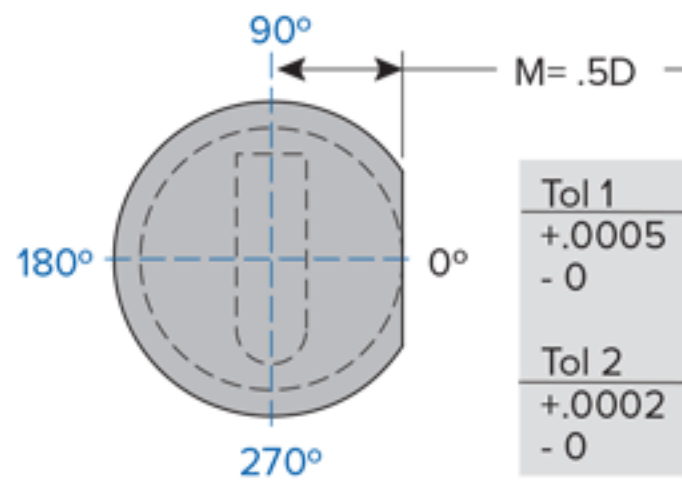
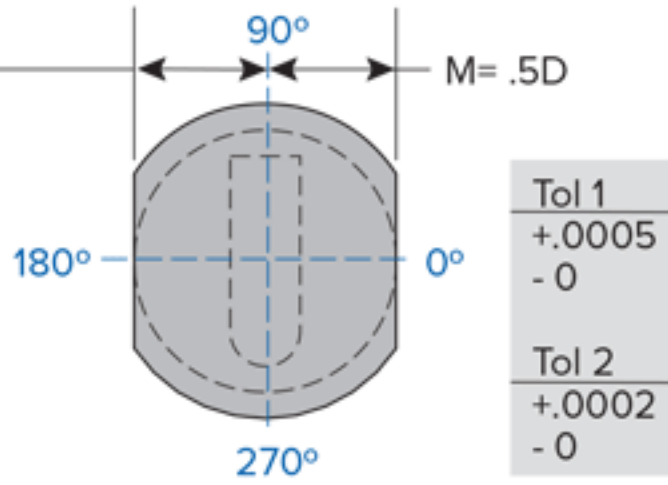


**KEY 1**  
Single Flat



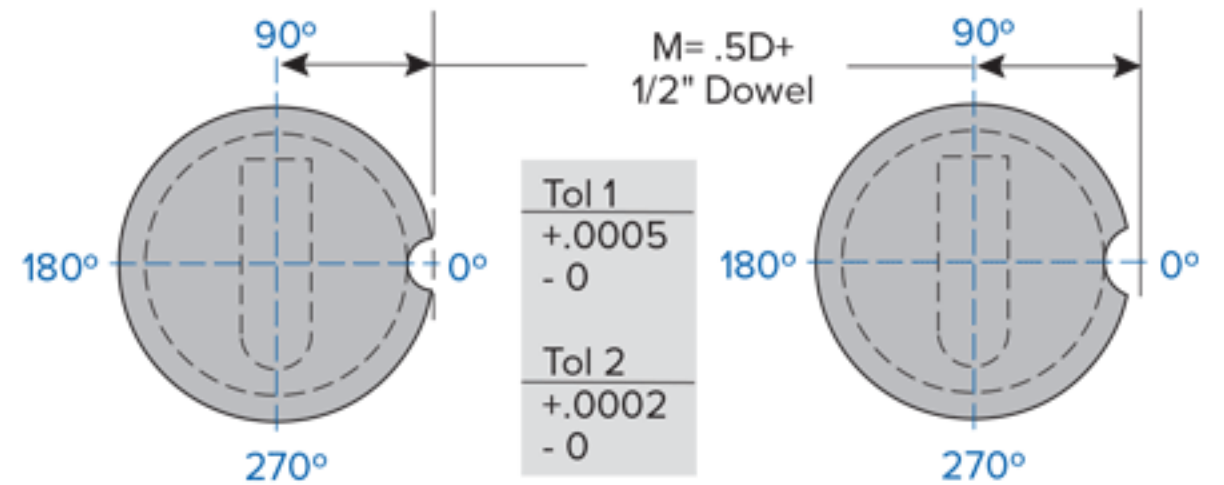
**Radial Location**  
Tol. 1 .001/inch  
Tol. 2 .0005/inch

**KEY 2**  
Double Flat



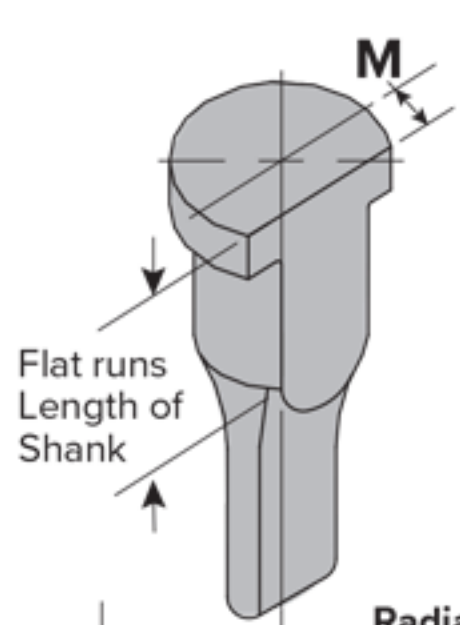
**Radial Location**  
Tol. 1 .001/inch  
Tol. 2 .0005/inch

**KEY 3** Dowel Pin 1/8" **KEY 4** Dowel Pin 3/16"  
**KEY 8** Dowel Pin 1/4"

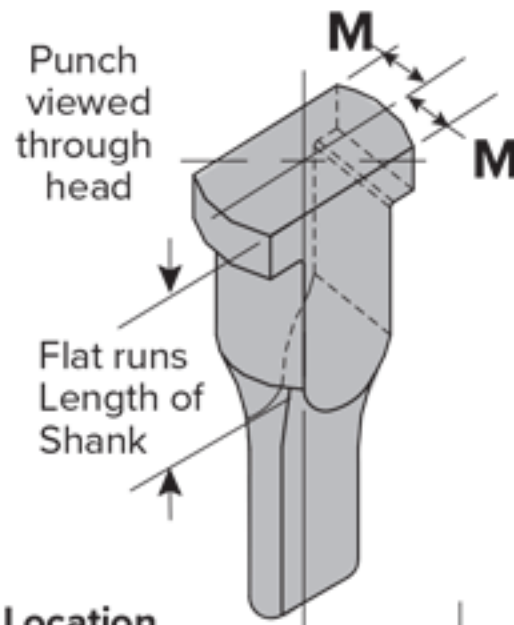


**Radial Location**  
Tol. 1 Within 0° 4'  
Tol. 2 Within 0° 2'

**KEY 9**  
Single Full Body



**KEY 10**  
Double Full Body



**Radial Location**  
Tol. 1 .001/inch  
Tol. 2 .0005/inch