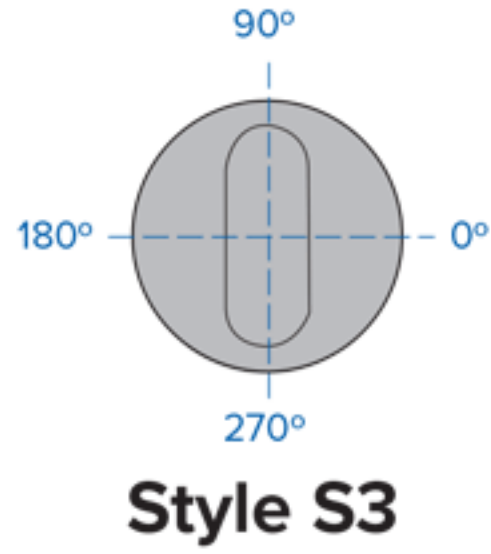
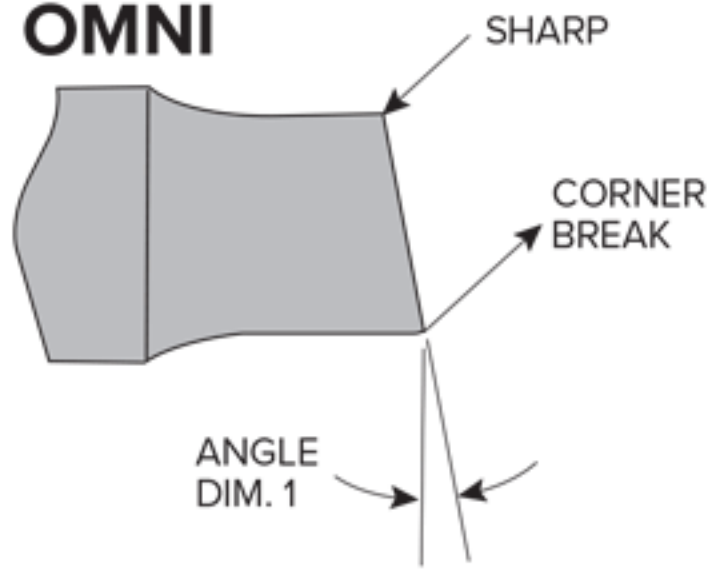
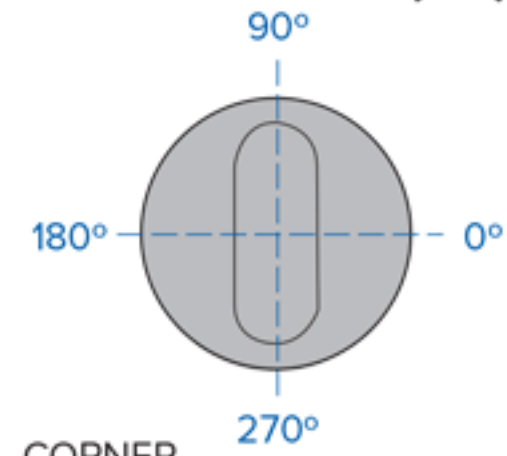
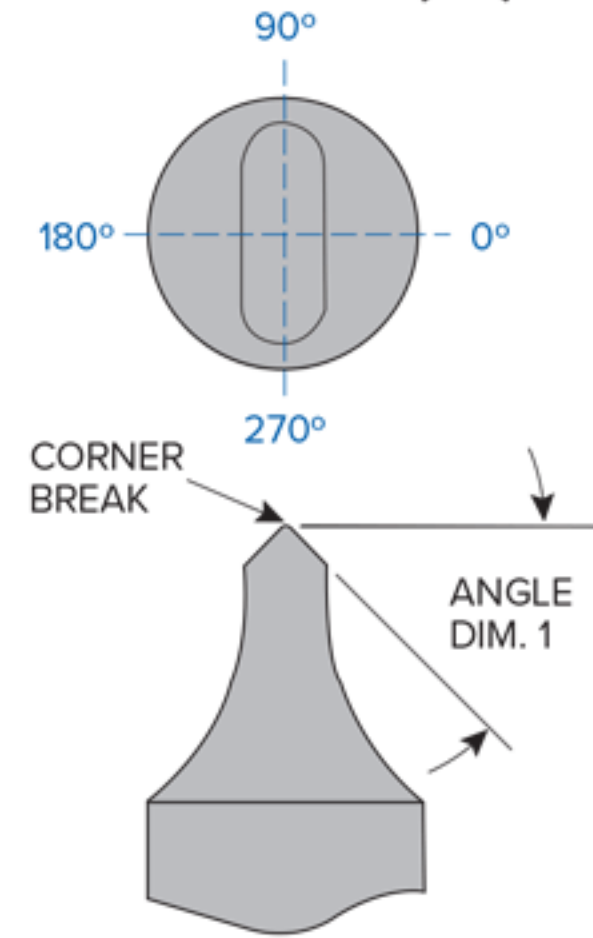


### OMNI



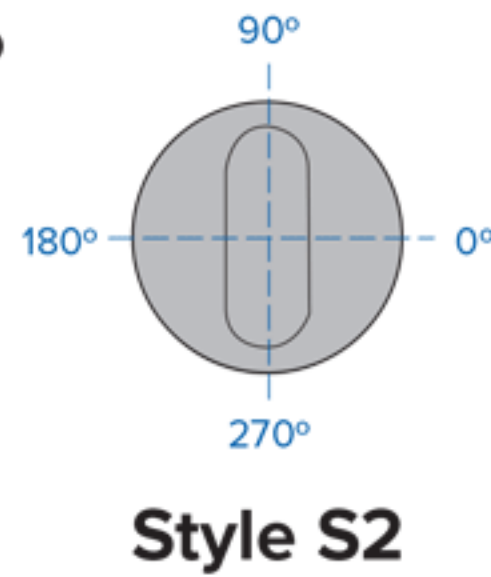
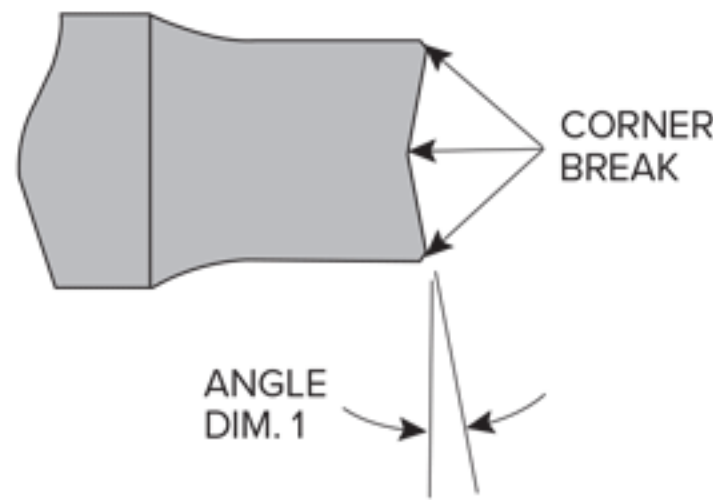
Style S3

### ROOFTOP (W)



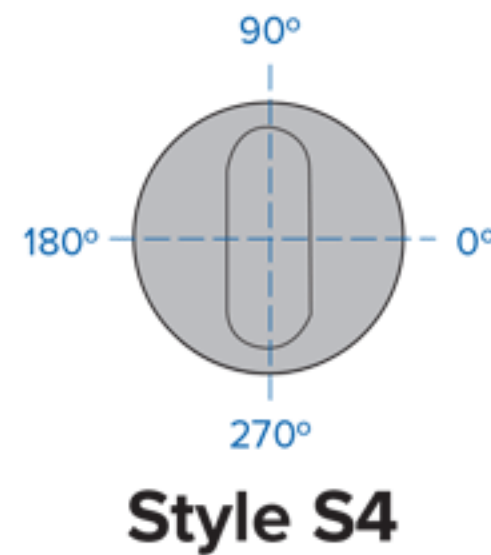
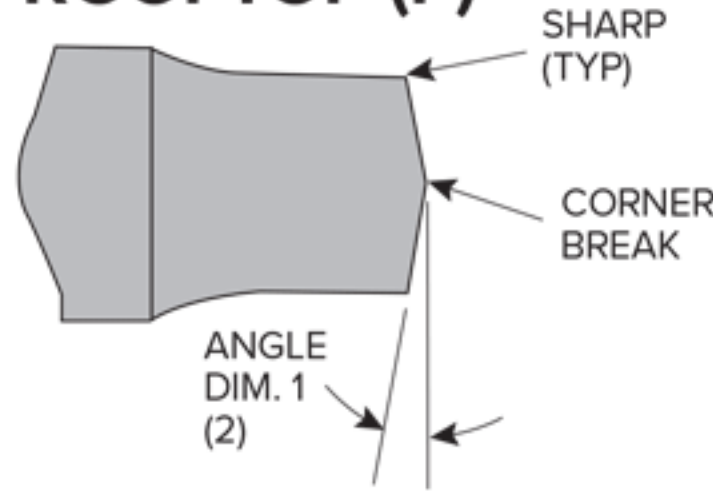
Style S1

### INVERTED ROOFTOP



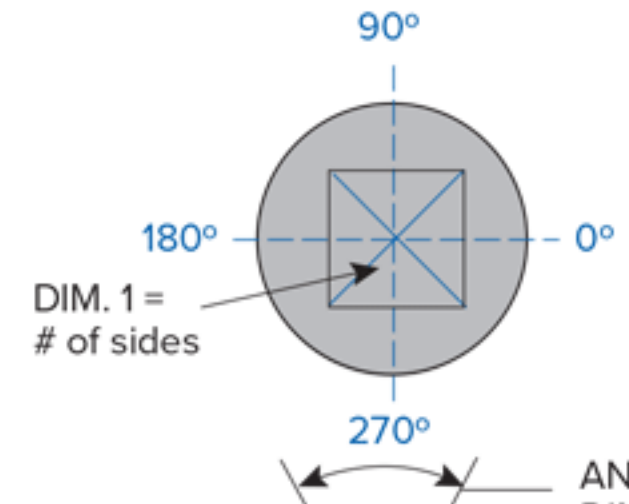
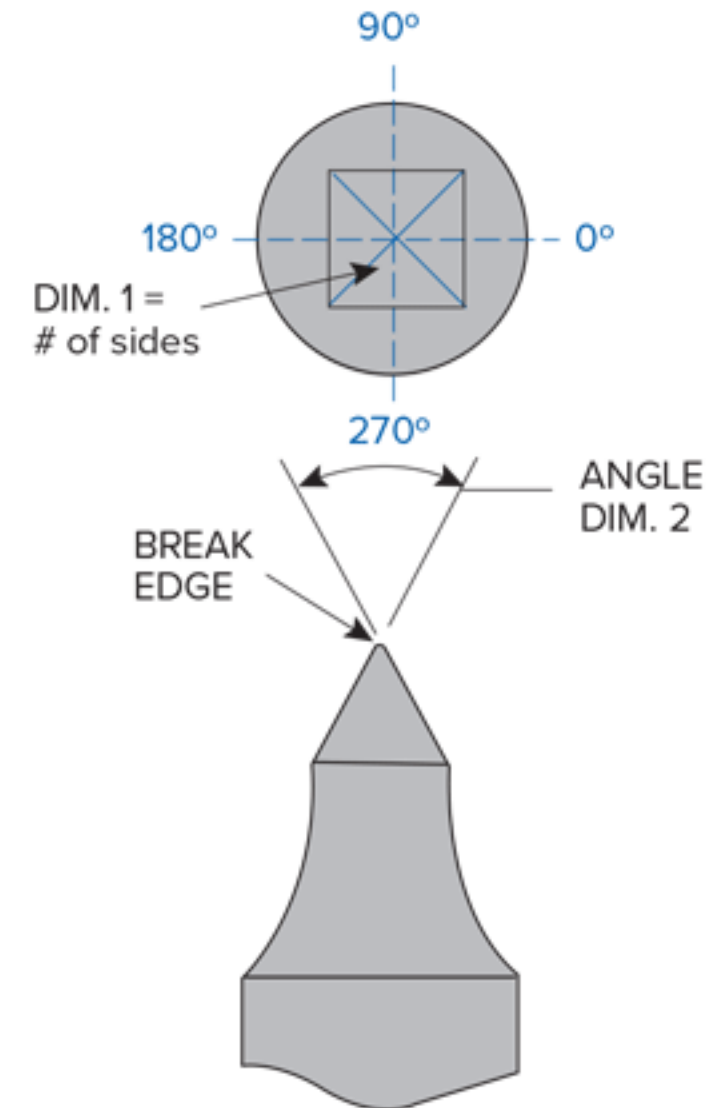
Style S2

### ROOFTOP (P)



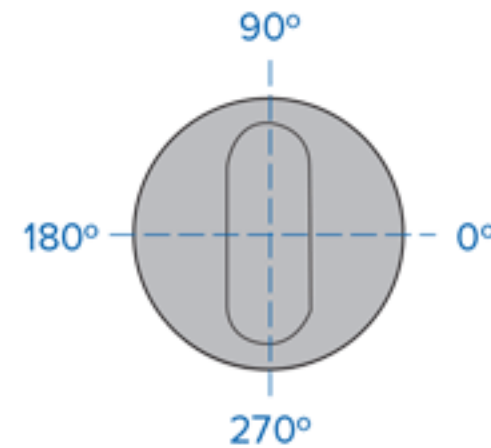
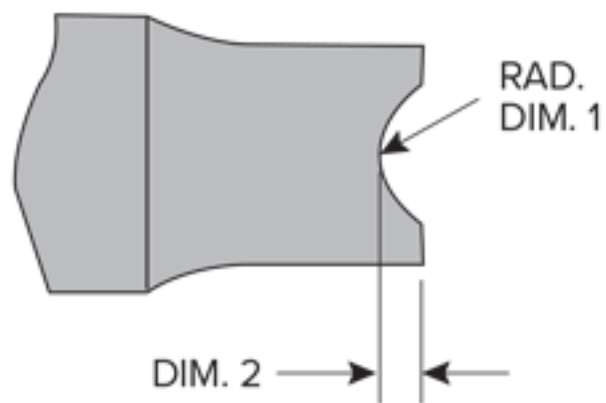
Style S4

### NAIL POINT



Style S6

### CONCAVE



Style S5